













GRIZZLY

#817.400

EN

TABLE OF CONTENTS

	1 - GENERAL INFORMATION	5
	2 - WORK AT HEIGHT	6
	3 - MAINTENANCE AND STORAGE	7
	4 - PERIODIC INSPECTIONS	7
	5 - PRODUCT LIFESPAN	8
	6 - LEGAL OBLIGATIONS	8
	7 - WARRANTY	8
	8 - SPECIFIC PRODUCT INFORMATION	9
	8.1 Assembly	10
	8.2 Positioning	12
	8.3 Use	14
	8.4 Accessories	17
	9 - PRE-USE AND POST-USE CHECKS	17
	INSPECTION CARD	18

1 GENERAL INFORMATION

A) Information provided by the manufacturer (as follows) must be read and thoroughly understood before using this product.

WARNING

This information contains descriptions of the features, performance, assembly, disassembly, maintenance, care, cleaning, etc. of the product. Any representations of use must not be considered as instruction for actual use (in the same way the user's manual for a car is not intended as driving instruction nor a substitute for driving school).

WARNING

Climbing on rock and ice, abseiling, via ferrata, caving, ski mountaineering, canyoning, orienteering, rescue, arborism and work at height are all high-risk activities which can lead to serious injury or even death. If you are not willing to assume responsibility for all the risks involved, do not use this product and abstain from practicing these activities. You are responsible for your own actions and the consequences to yourself and others. You assume complete responsibility for harm, injury and/or death arising from your use of our products, whichever type. Learn how to use this product and make sure you fully understand its functions and limitations. Do not take any risks. If you are in doubt, seek advice.

Please note:

- this product must only be used by trained and competent persons, or the user must be under the direct control and supervision of a trained and competent person. Even the above is not a guarantee of safety.
- you are personally responsible for learning how to use this product and understanding its correct use, including its capabilities and safety limitations.

B) Before and after use, carry out all inspections described in the specific information for each product. In particular, ensure that the product is:

- in optimal condition and functioning correctly,
- fit for the intended use. It is the responsibility of the operator to employ the correct use of this product: only the techniques shown without crosses and/or "NO!" in the diagrams are permitted. Every other use is prohibited: beware of death! Keep the relevant "Inspection cards" with the reported results of past inspections.

C) If you have any doubt as to the safety and working condition of the product, retire and replace it immediately. Do not use a product after it has been dropped. Internal damage or deformation may not be visible and you cannot completely determine the product's resistance to damage. Incorrect use, mechanical deformation, accidental dropping from height, exposure to chemical contamination, exposure to heat and beyond normal weather conditions (purely metallic products: $-30^{\circ}/+100^{\circ}\text{C}$ – products with textile components: $-30^{\circ}/+50^{\circ}\text{C}$) are some examples of other causes which can reduce, limit and even terminate the lifespan of the product. These examples are not exhaustive. Your life depends on the continued function of your equipment. It is strongly advised that you know the history of the equipment you use (its prior use, storage, inspections, etc.).

(D) This product can be used in combination with personal protective equipment (PPE), in accordance with Directive 89 /686/CEE, when compatible with the product, as described in the specific product information. When you intend to combine two (or more) products, please carefully read the information for use of both.

E) Anchor position is vital to the safety of fall arrest systems: carefully evaluate the free space beneath the user, the height of a potential fall, the elongation of the rope caused by the presence of an energy absorber, the height of the user, and the "pendulum" effect, in order to avoid any possible obstacle (e.g. the ground, material abrasion, etc.).

F) The strength of anchor points, both natural and fixed in rock, is not always guaranteed. It is essential to use critical judgment to ensure adequate protection.

G) It is absolutely forbidden to modify and/or repair the product: no responsibility will be assumed by the manufacturer for damages, injury or death caused by misuse, modification of the product, repairs performed by unauthorised persons or the use of non-genuine parts.

(H) During transport, avoid exposing the product to UV radiation, heat sources, contact with chemical agents or other corrosive substances; adequately protect sharp points and sharp edges.

WARNING

Never leave equipment in cars parked in the sun!

I) For your own safety, check that the product is sold: intact, in the original packaging and with all relevant information. For products sold in countries other than the country of origin, the retailer has an obligation to check and provide a translation of this information.

L) All our products are tested/checked piece-by-piece in accordance with Quality System procedures and certified according to the norm UNI EN ISO 9001. Personal protective equipment (PPE) is certified by the accredited body recorded in the specific instructions of the product and, if it is Category III PPE, the production process is also monitored in accordance with Article 11/B of Directive 89/686 /CEE, by the body whose accreditation number is marked on the product.

WARNING

Laboratory testing, field testing, specific product information and the standards are not always able to replicate the practice. Hence, results obtained when using the product in real conditions, and in the natural environment, may sometimes differ significantly. Continued practice under the supervision of competent and qualified instructors is essential.

2 WORK AT A HEIGHT

Additional Information for fall arrest systems.

For safety against falls it is essential to:

- evaluate the risks and make sure that the entire security system, of which this device is only one component, is reliable and safe,
- prepare a rescue plan for coping with possible emergencies that may arise when using the device,
- ensure work is carried out in such a way as to minimise potential falls from height,
- verify that the fall arrest systems conform to EN 363, in particular that:
 - the anchor point is in accordance with EN 795 and guarantees a minimum strength of 12 kN and is preferably positioned above the user,

- that the components used are suitable and certified in accordance with the rules relating to the work at height being undertaken.

IMPORTANT:

In a fall arrest system, a full body harness which conforms to regulations must be worn.

3 MAINTENANCE AND STORAGE

Maintenance of this product:

- cleaning: when necessary, wash the product with lukewarm drinking water (max. 40 °C). If needed, you may add a mild detergent. Rinse, avoid spinning, and let dry in the shade away from direct heat,
- to disinfect, if necessary: add disinfectant to warm water and immerse the product for an hour. Rinse with clean drinking water, dry and lubricate. For textile products, avoid autoclave sterilisation.
- lubrication (only for metal products): frequently lubricate the moving parts with silicone-based oil. Avoid contact with oil on the fabric parts. The product must be clean and completely dry before lubrication .

Storage: after cleaning, drying and lubrication, store the equipment somewhere dry (relative humidity 40-90%), cool (temperature 5-40°C) and dark (avoid ultraviolet radiation), chemically neutral (absolutely avoid saline environments and/or acids), away from sharp edges, sources of heat, humidity, corrosive substances or other potentially harmful conditions. Do not store the product wet!

4 PERIODIC INSPECTIONS

We strongly recommend that the pre-use and post-use checks detailed in the specific product instructions are carried out by a competent person. Unless obligated by a more restrictive law, we recommend a thorough inspection of the product at least annually, by a competent person who is trained and authorised by the manufacturer.

The results of periodic inspections must be recorded on the Inspection card of the product; you must prepare an inspection card for each component, system and subsystem (an example of an inspection card is included). Periodic inspections must also check the readability of the product markings.

5 PRODUCT LIFESPAN

Read section 1C carefully. The lifespan of metal equipment is theoretically unlimited, while for textiles and plastics it is 10 years from the date of manufacture provided that: the maintenance and storage are carried out as described in point 3, the pre-use and post-use checks and periodic inspections do not reveal operating defects, deformation, wear, etc., the product must have been used

correctly, without exceeding $\frac{1}{4}$ of the load marked. Do not use outdated equipment, (e.g. equipment with an expired lifespan, without an up-to-date inspection card, which does not comply with current regulations, is not suitable or not compatible with current techniques, etc.). Discard equipment which is outdated, warped, worn, not functioning properly, etc. by destroying them to prevent any future use.

6 LEGAL OBLIGATIONS

Work, sport and professional activities are often regulated by domestic legislation that may impose limits and/or obligations to the use of PPE and the preparation of security systems of which PPE are components. It is a requirement

of the user and/or instructors to know and apply these laws that in certain cases could impose different obligations than what is reported in this information.

7 WARRANTY

The manufacturer guarantees that products supplied conform to the agreed specifications. The warranty for defects is limited to manufacturing defects and raw materials: it does not include normal wear and tear, oxidation, damage caused by misuse and/or use in competitions, from improper maintenance, transportation, care or storage, etc.; the warranty is immediately void in cases where equipment has been modified or tampered with. The validity corresponds to the legal guarantee of the country where the

product is sold (to a maximum of 3 years) from the date of sale, by the manufacturer. After this date, no claim may be made against the manufacturer. Any request for repair or replacement under warranty must be accompanied by proof of purchase. If a defect is recognised, the manufacturer will repair or, at its own discretion, replace or refund the product. In no event shall the responsibility of the manufacturer extend beyond the invoiced price of the product.

8 SPECIFIC INFORMATION

The **817.400** bipod called the **GRIZZLY** (fig .1), is a device adapted for access in environments where you need to protect the ropes and shift the load point. The capacity of the device, calculated by applying a safety factor of 1:5, is 300 kg.

Terminology and materials of the main parts:

(A) Aluminium alloy side bars, (B) Aluminium alloy upper bar, (C) Steel cable, (D) Aluminium alloy feet, (E) Steel joint, (F) Aluminium alloy collar, (G) Lever lock (H) Elastic reference marker (I) Steel brace point (L) Eyelet connection point (M) Steel shackles.

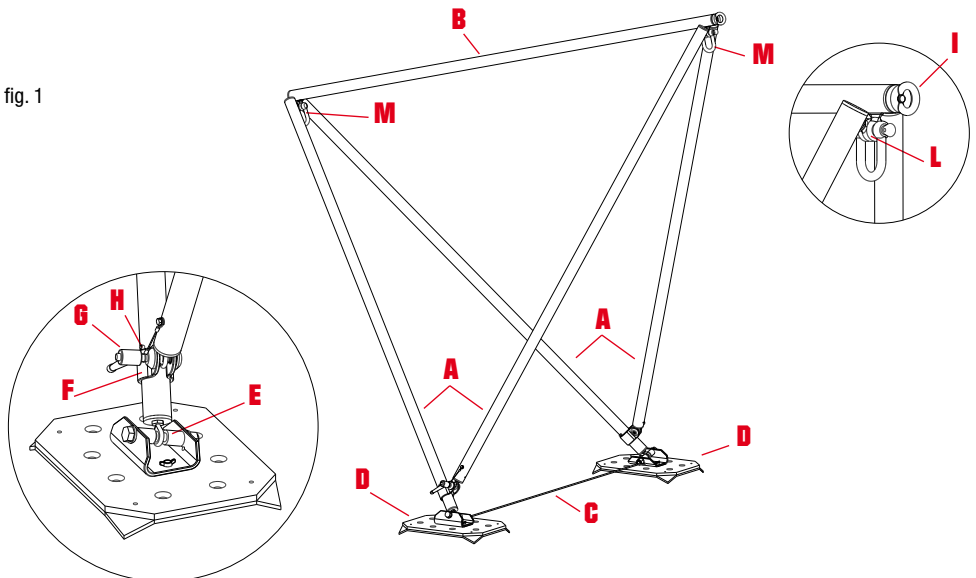
The Grizzly is composed of the following parts:

- 2 pairs of side bars (A) connected by the steel cable (C),
- 1 upper bar (B),
- 2 feet (D) ,
- 2 shackles (M).

WARNING

At least three people are required to operate this device, all properly prepared and trained in its use.

fig. 1



8.1 Assembly

- a) Arrange the side bars (A) and the top bar (B) on the ground - (fig. 2).
- b) Connect the upper bar (B) to the side bars (A) by inserting the shackles (M) through the eyelets (L) - (fig. 3).

Note:

- check that the ends of the bars are the same colour where they meet (grey at the front and red at the back)
 - position the eyelets of the upper bar between those of the sidebars,
 - screw and tighten the shackles (M).
- c) Choose the side of the feet (D) most suitable for the available surface and attach them using the appropriate screws:
 - rubber side down for support on smooth and hard surfaces (fig. 4A),
 - clawed side down for rough, irregular or soft surfaces, (fig. 4B),

Note:

We recommend using the centre holes to connect the feet; to limit the possibility of dangerous flexing when the load is applied (fig. 5).

- e) Place the collars (F) against the elastic reference marker (H) and fix them by means of the lever lock (G) - (fig. 6).

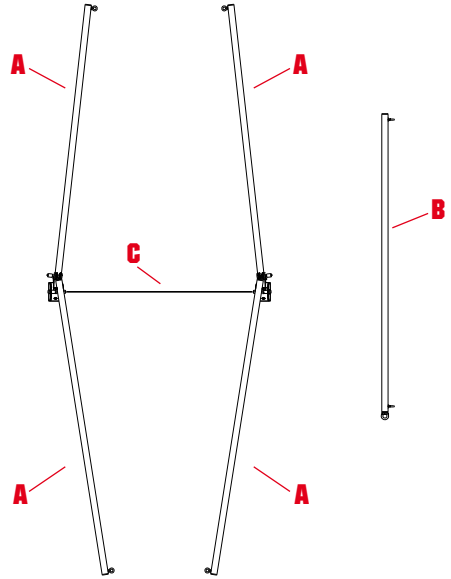


fig. 2

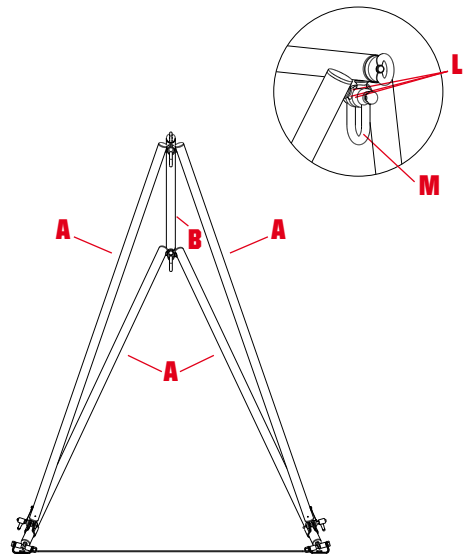


fig. 3

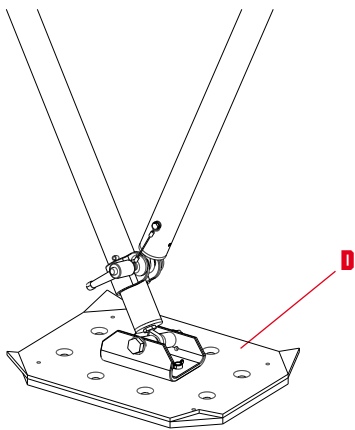


fig. 4A

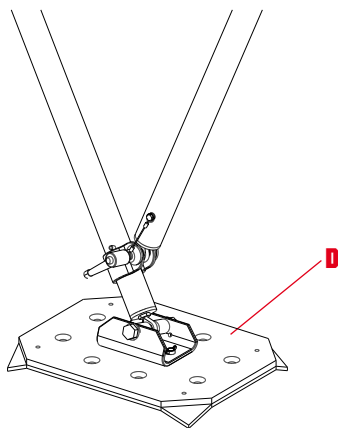


fig. 4B

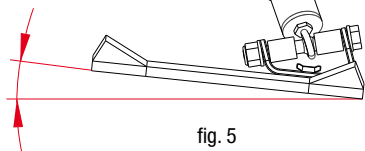


fig. 5

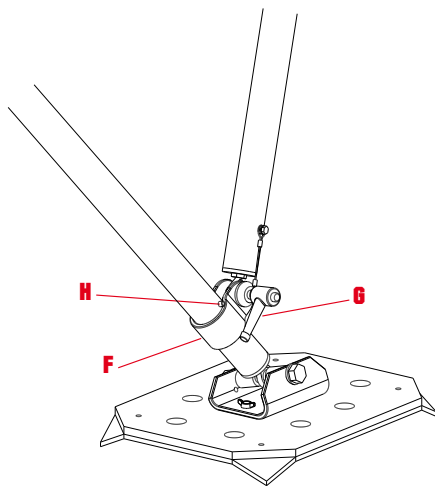


fig. 6

8.2 Positioning

Definition of positions: at rest (fig. 7A), loading/unloading (fig. 7B), in operation (fig. 7C).

- Place the Grizzly in the working position at the lowering point and identify:
 - the brace position, as defined in figure 8,
 - the anchor point, as defined in figure 9.
 - clear away any possible obstacles in an area of at least 4 metres around the Grizzly,
 - prepare the semi-static rope for the brace, insert an adjustment device (e.g. Trimmer, Indy Evo) and connect it to the brace point (I) of the Grizzly.
- Important:** adjust the length of the rope so that the maximum positions that can be reached by the Grizzly during operation are as shown (fig. 8),
- set the anchor according to the type of use (see point 8.3).

WARNING

Before loading the Grizzly, the operators must be arranged in the following way:

- the most experienced person should be equipped with a communication system in contact with the rest of the team. He/she should position themselves so they can use their shoulder to support one of the side bars (fig. 10); during the manoeuvres of loading and unloading, they must forcefully act on and guide the sidebar,
- the second operator, an expert on systems of descent and recovery, must carry out the manoeuvres with the device chosen for the operation (read point 8.3),
- the third operator is to help or replace the other two.

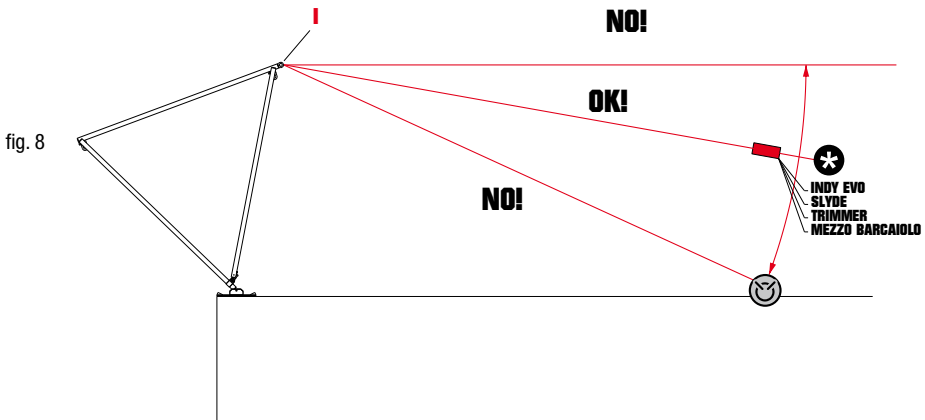
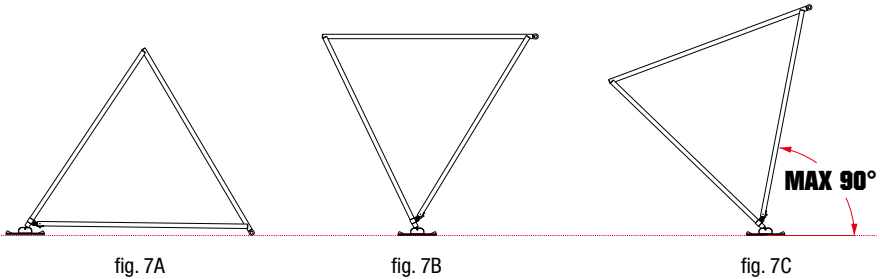
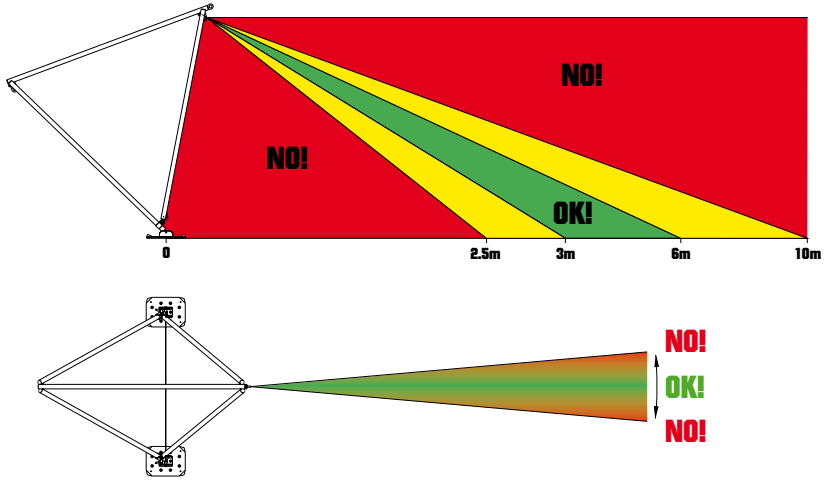


fig. 9

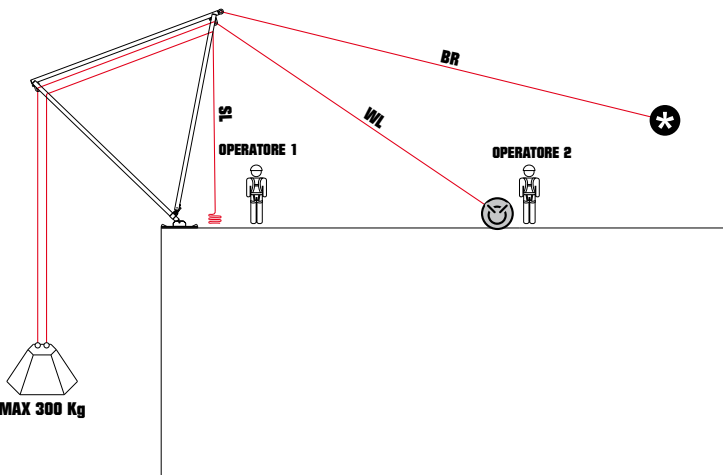


	Bracing point
	Anchor point
	Manual handling of the rope

SL	SAFETY LINE
WL	WORKING LINE
BR	BRACING ROPE

	Operator
--	----------

fig. 10



8.3 Use

Example of correct use for operations of:

- lowering with a single rope (fig. 11) and double ropes (fig.12),
- recovery with a single rope (fig. 13) and double ropes (fig. 14),
- lowering and recovery with a single rope (fig. 15) and double ropes (fig. 16),
- descent (fig. 17) and ascent (fig. 18) on the rope,
- transfer of the load points (fig. 19).

The Grizzly can also be used to lower and recover materials, in which case:

WARNING

You may not use the Grizzly to lower and/or lift people if it was used to lower or lift materials.

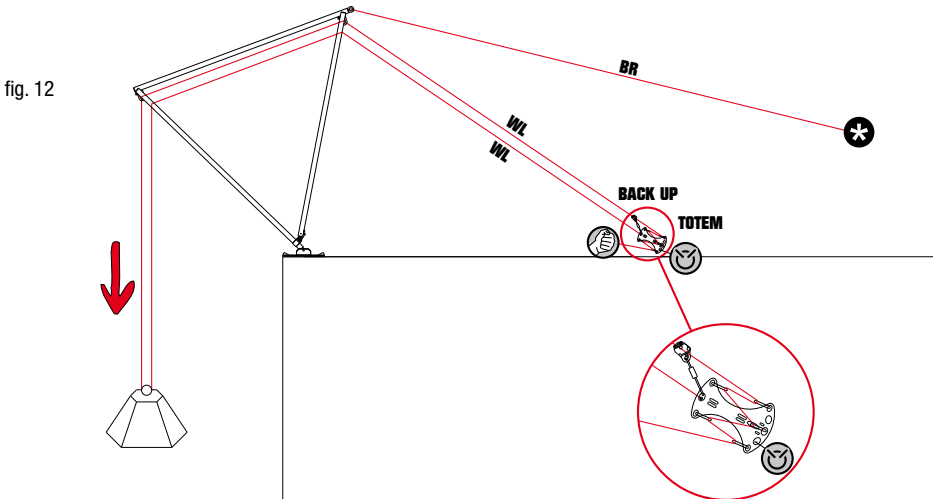
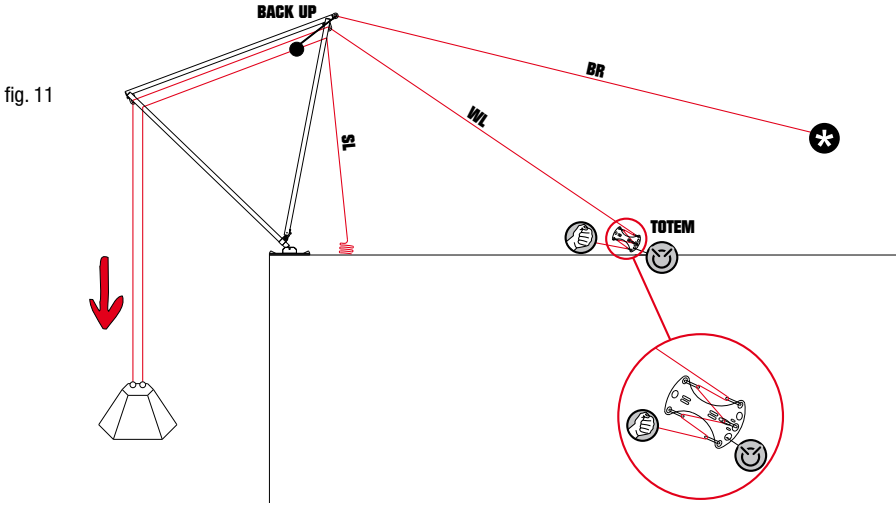


fig. 13

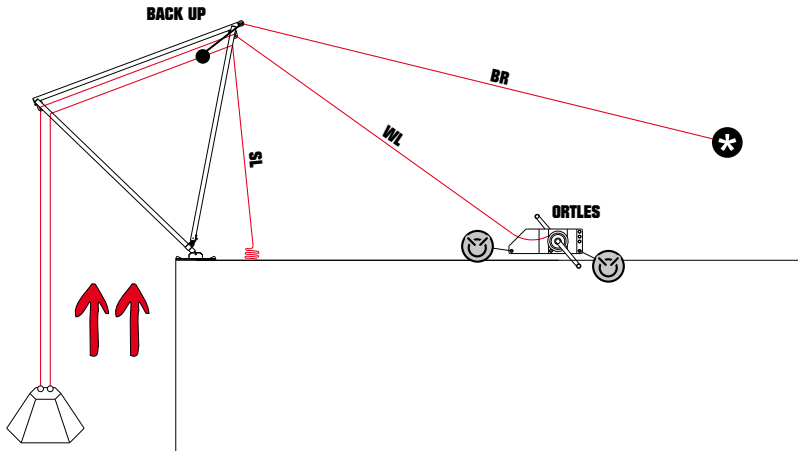


fig. 14

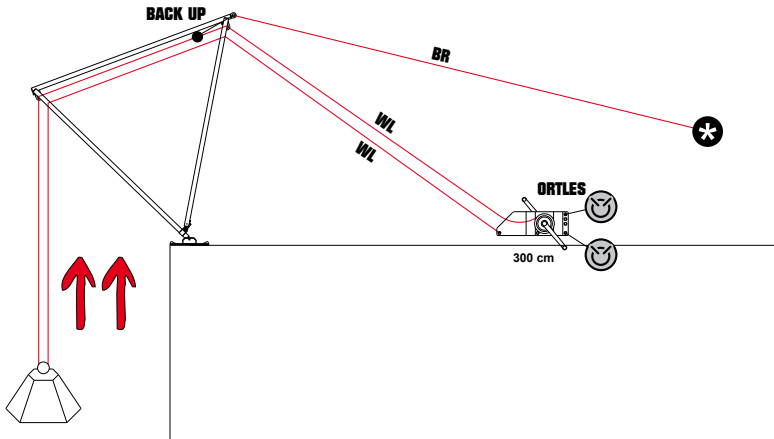


fig. 15

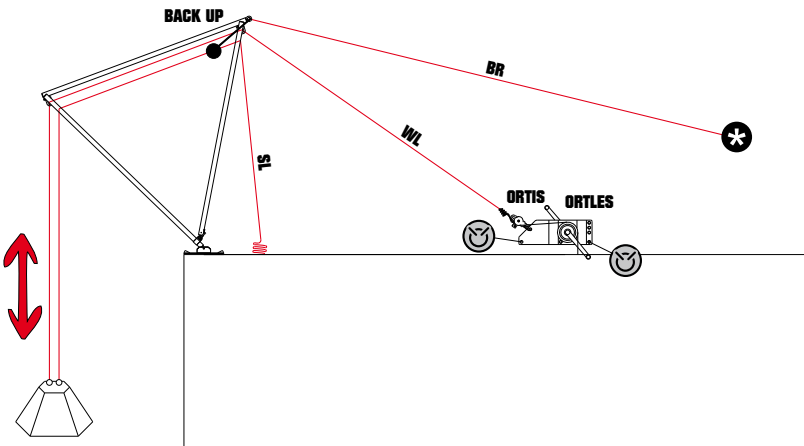


fig. 16

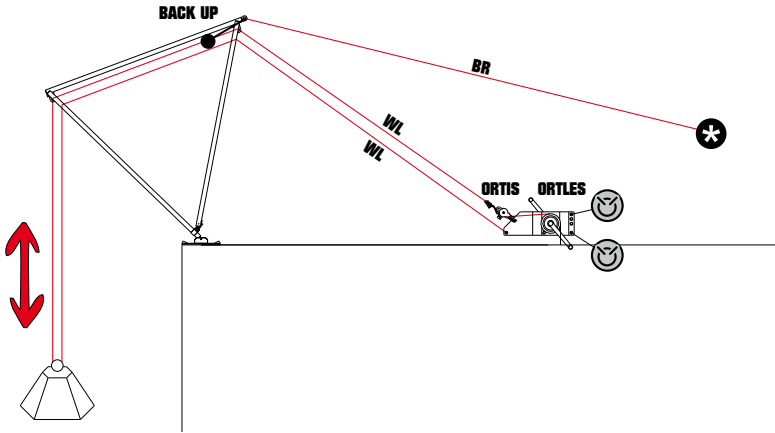


fig. 17

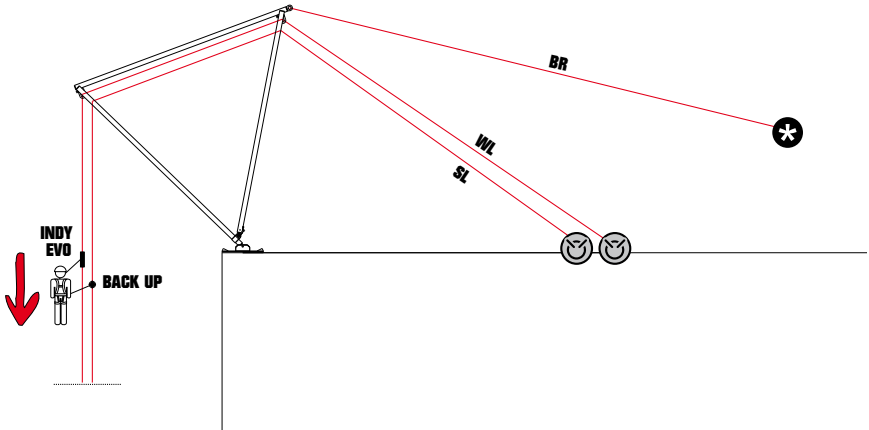


fig. 18

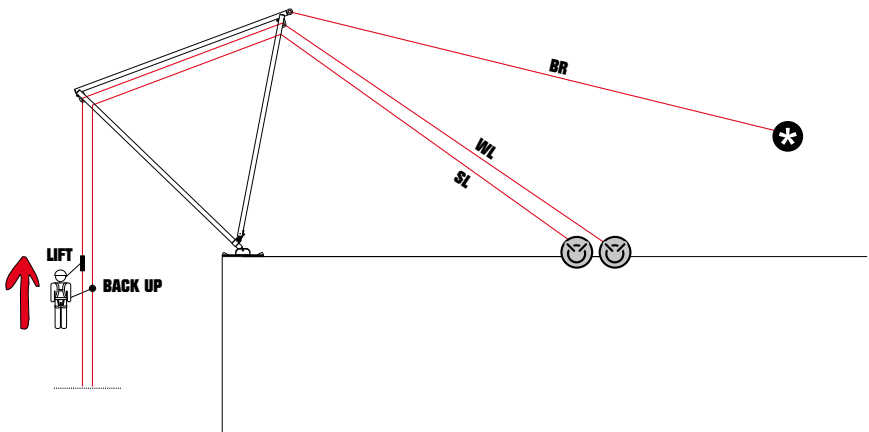
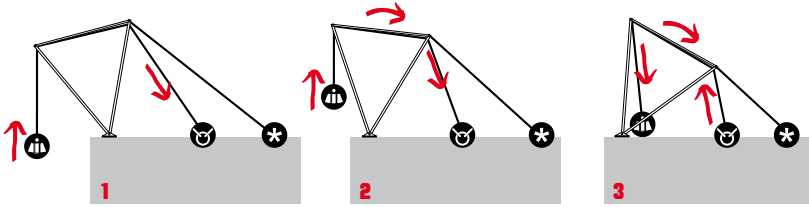


fig. 19



8.4 Accessories

List of matching accessories for the Grizzly:

- connectors: Ovalone (712.000), H.M.S. (786.000), Napik (957.000), Quick links (403.070, 600.080, 600.100).
 - pulleys: Extra roll (820.00), Turbo roll (821.000), Pamir (826.000), Twin (827.000), Twin wire (827.020), Mini twin (827.010), Swing (992.000, 993.000, 994.000),
- Also by usage type:
- for lowering: Indy Evo (801.020), Ortis (822.000), Totem (884.000), Full (864.150), Gigi (859.000),
 - for recovery: Ortles (817.000), Maxi Hoist (208.000).

Warning: Use only connectors conforming to EN 362.

9 PRE-USE AND POST-USE CHECKS

Check and ensure that :

- the Grizzly has not suffered any mechanical deformations, there are no cracks present, no traces of corrosion and the joints (E) rotate freely,
- the collars (F) are in the correct position (fig. 6) and are secured with the lever lock (G).

Also carry out the pre-use and post-use checks outlined in the information for all other devices used in conjunction with the Grizzly.

In the interests of complete safety, carry out an operational test to finish the checks.



KONG s.p.a.

Via XXV Aprile, 4 - (zona industriale)

I - 23804 MONTE MARENZO (LC) - ITALY

Tel +39 0341630506 - Fax +39 0341641550

www.kong.it



GRIZZLY

#817.400

IT

INDICE

	1 - INFORMAZIONI GENERALI	5
	2 - LAVORI IN QUOTA	6
	3 - MANUTENZIONE E IMMAGAZZINAMENTO	7
	4 - ISPEZIONI PERIODICHE	7
	5 - DURATA DEL DISPOSITIVO	8
	6 - OBBLIGHI DI LEGGE	8
	7 - GARANZIA	8
	8 - INFORMAZIONI SPECIFICHE	9
	8.1 Montaggio	10
	8.2 Posizionamento	12
	8.3 Utilizzo	14
	8.4 Accessori	17
	9 - CONTROLLI PRE POST USO	17
	SCHEDA DI ISPEZIONE	18

1 INFORMAZIONI GENERALI

A) Le informazioni fornite dal fabbricante (di seguito informazioni) devono essere lette e ben comprese dall'utilizzatore prima dell'impiego del prodotto.

ATTENZIONE

Le informazioni riguardano la descrizione delle caratteristiche, delle prestazioni, del montaggio, dello smontaggio, della manutenzione, della conservazione, della disinfezione, ecc. del prodotto, anche se contengono alcuni suggerimenti di impiego non devono essere considerate un manuale d'uso nelle situazioni reali (così come un libretto d'uso e manutenzione di un'autovettura non insegna a guidare e non si sostituisce ad una scuola guida).

ATTENZIONE

L'arrampicata su roccia e ghiaccio, la discesa in corda doppia, la via ferrata, la speleologia, lo sci-alpinismo, il torrentismo, l'esplorazione, il soccorso, l'arborismo e i lavori in quota sono tutte attività ad alto rischio che possono comportare incidenti anche mortali. Se non siete in grado o non volete assumervi queste responsabilità e prendervi questi rischi, evitate l'uso di questo prodotto ed astenetevi dalla pratica di tali attività. Unicamente voi vi assumete completamente tutti i rischi e le responsabilità per ogni danno, ferita o morte che possa derivare a voi stessi o a terzi dalla pratica di tali attività e dall'uso di ogni nostro prodotto, di qualunque tipo si tratti. Imparate l'uso di questo prodotto ed accertatevi di avere pienamente compreso il suo funzionamento e i suoi limiti, in caso di dubbio non rischiate ma domandate.

Ricordate che:

- questo prodotto deve essere utilizzato solo da persone preparate e competenti diversamente l'utilizzatore deve essere costantemente monitorato e supervisionato da persone preparate e competenti che ne devono garantire la sicurezza,
- voi siete personalmente responsabili di conoscere questo prodotto e di impararne l'uso e le misure di sicurezza.

B) Prima e dopo l'uso effettuate tutti i controlli descritti nelle informazioni specifiche di ogni prodotto ed in particolare assicuratevi che il prodotto sia:

- in condizioni ottimali e che funzioni correttamente,
- idoneo all'utilizzo che intendete farne, è responsabilità dell'utilizzatore usare correttamente questo prodotto: sono consentite solo le tecniche raffigurate senza sbarratura, ogni altro utilizzo è vietato: pericolo di morte! e conservare la relativa "scheda dei controlli" con registrato i risultati dei controlli effettuati.

C) Se avete il minimo dubbio sulle condizioni di sicurezza e di efficienza del prodotto, rimpiazzatelo immediatamente. Non usate più il prodotto dopo una caduta in quanto rotture interne o deformazioni non visibili ne possono diminuire notevolmente la resistenza. L'uso scorretto, la deformazione meccanica, la caduta accidentale dell'attrezzo dall'alto, l'usura, la contaminazione chimica, l'esposizione al calore oltre le normali condizioni climatiche (prodotti solo metallici: $-30/+100^{\circ}\text{C}$ - prodotti con componenti tessili: $-30/+50^{\circ}\text{C}$), sono alcuni esempi di altre cause che possono ridurre, limitare e perfino annullare la vita del prodotto. La vostra vita dipende dall'efficienza continua del vostro equipaggiamento (è vivamente consigliato che l'equipaggiamento sia ad uso personale) e dalla sua storia (uso, immagazzinamento, controlli, ecc.).

D) Questo prodotto può essere usato in abbinamento a dispositivi di protezione individuale conformi alla Direttiva 89/686/CEE quando compatibile con le relative informazioni del prodotto. Quando intendete abbinare due (o più prodotti) leggete attentamente le istruzioni d'uso di entrambi.

E) La posizione dell'ancoraggio è fondamentale per la sicurezza dell'arresto della caduta: valutate attentamente l'altezza libera presente sotto l'utilizzatore, l'altezza di una potenziale caduta, l'allungamento della corda causato dalla presenza di un assorbitore di energia, la statura

dell'utilizzatore e l'effetto "pendolo" in modo da evitare ogni possibile ostacolo (es. il terreno, lo sfregamento del materiale sulla roccia, ecc.).

F) La resistenza dei punti di ancoraggio sia naturali che fissati nella roccia non è sempre garantita per cui è indispensabile il preventivo giudizio critico dell'utilizzatore per assicurare un'adeguata protezione.

G) È assolutamente vietato modificare e/o riparare il prodotto: nessuna responsabilità sarà riconosciuta dal fabbricante per danni, lesioni o morte causate da: uso improprio, modifiche del prodotto, riparazioni effettuate da persone non autorizzate o dall'utilizzo di ricambi non originali.

H) Durante il trasporto evitate l'esposizione del prodotto ai raggi U.V. e a fonti di calore, il contatto con reagenti chimici o altre sostanze corrosive; proteggete adeguatamente eventuali parti appuntite o taglienti.

ATTENZIONE

Non lasciate mai il vostro equipaggiamento in automobili esposte al sole!

I) Ai fini della vostra sicurezza verificate che il prodotto vi sia stato venduto: integro, nella confezione originale e con le relative informazioni. Per i prodotti rivenduti in paesi diversi dalla destinazione di origine, il rivenditore ha l'obbligo di verificare e di fornire la traduzione di queste informazioni.

L) Tutti i nostri prodotti sono collaudati/controllati pezzo per pezzo in accordo alle procedure del Sistema Qualità certificato secondo la norma UNI EN ISO 9001. I dispositivi di protezione individuale sono certificati dall'organismo accreditato riportato nelle istruzioni specifiche del prodotto e, se di III categoria, sottoposti anche alla sorveglianza di produzione, in accordo all'articolo 11/B della Direttiva 89/686/CEE, da parte dall'organismo il cui numero di accreditamento è marcato sul prodotto.

ATTENZIONE

I test di laboratorio, i collaudi, le informazioni e le norme non sempre riescono a riprodurre la pratica, per cui i risultati ottenuti nelle reali condizioni d'utilizzo del prodotto nell'ambiente naturale possono differire in maniera talvolta anche rilevante. Le migliori informazioni sono la continua pratica d'uso sotto la supervisione di istruttori competenti e preparati.

2 LAVORI IN QUOTA

Informazioni aggiuntive per i sistemi di sicurezza contro le cadute dall'alto.

Ai fini della sicurezza contro le cadute dall'alto è essenziale:

- effettuare la valutazione dei rischi ed accertarsi che l'intero sistema di sicurezza, di cui questo dispositivo è solo un componente, sia affidabile e sicuro,
- predisporre un piano di soccorso per far fronte ad eventuali emergenze che potrebbero insorgere durante l'utilizzo del dispositivo,
- assicurarsi che il lavoro sia eseguito in modo di minimizzare le potenziali cadute e la loro altezza,

- verificare che i sistemi di arresto caduta siano conformi alla norma EN 363, in particolare che:

- il punto di ancoraggio sia conforme alle norme EN 795, garantisca una resistenza minima di 12 kN e sia posizionato preferibilmente al di sopra dell'utilizzatore,
- che i componenti utilizzati siano adatti e certificati in accordo alle norme inerenti il lavoro in quota che si intende svolgere.

IMPORTANTE:

In un sistema anticaduta e obbligatorio l'uso di un'imbracatura completa conforme alle norme vigenti.

3 MANUTENZIONE E IMMAGAZZINAMENTO

La manutenzione di questo prodotto prevede:

- la pulizia: quando necessario, lavate frequentemente il prodotto con acqua potabile tiepida (max. 40°C), eventualmente con l'aggiunta di un detergente delicato. Sciacquatelo, evitate di centrifugarlo e lasciatelo asciugare all'ombra e lontano da fonti di calore dirette,
- se necessario, la disinfezione: immergete il prodotto per un'ora in acqua tiepida con aggiunta di disinfettante poi sciacquatelo con acqua potabile, asciugatelo e lubrificatelo. Evitate, per i prodotti tessili, la sterilizzazione in autoclave,
- la lubrificazione (solo per prodotti metallici): lubrificate frequentemente le parti mobili con olio a base di silicone. Evitate il contatto dell'olio con le parti tessili. Questa operazione deve essere effettuata dopo la pulizia e la completa asciugatura.

Immagazzinamento: dopo la pulitura, asciugatura e lubrificazione, depositate gli attrezzi in un posto asciutto (umidità relativa 40-90%), fresco (temperatura 5-40°C) e scuro (evitate le radiazioni U.V.), chimicamente neutro (evitate assolutamente ambienti salini e/o acidi), lontano da spigoli taglienti, fonti di calore, umidità, sostanze corrosive o altre possibili condizioni pregiudizievoli. Non immagazzinate questo prodotto bagnato!

4 ISPEZIONI PERIODICHE

Raccomandiamo vivamente che i controlli pre uso e post uso, riportati nelle istruzioni specifiche del prodotto, siano eseguiti da una persona competente. Salvo disposizioni di legge più restrittive, raccomandiamo a cadenza almeno annuale un'accurata ispezione del prodotto, da parte di una persona competente addestrato e

autorizzato dal fabbricante. I risultati delle ispezioni periodiche devono essere registrate sulla scheda di controllo del prodotto; e necessario predisporre una scheda di controllo per ogni componente, sottosistema e sistema (si riporta un esempio di scheda di controllo). Le ispezioni periodiche devono verificare anche la leggibilità delle marcature del prodotto.

5 DURATA DEL DISPOSITIVO

Leggere attentamente il punto 1C. La durata dei dispositivi metallici è teoricamente illimitata mentre per i prodotti tessili e plastici è di 10 anni dalla data di produzione a condizione che: la manutenzione e l'immagazzinamento siano effettuati come descritto al punto 3, i controlli pre uso, post uso e periodici non evidenzino difetti di funzionamento, deformazioni, usura, ecc., e il prodotto sia utilizzato correttamente

non eccedendo $\frac{1}{4}$ del carico marcato. Non utilizzate dispositivi obsoleti, (ad es. la cui durata è scaduta, sprovvisti della scheda di controllo con le registrazioni aggiornate, non conformi alle normative vigenti, non adatti o non compatibili alle attuali tecniche, ecc.). Eliminate i dispositivi obsoleti, deformati, usurati, non correttamente funzionanti, ecc. distruggendoli per evitare ogni futuro utilizzo.

6 OBBLIGHI DI LEGGE

L'attività lavorativa, l'attività sportiva e l'attività professionale sono sovente regolate da apposite leggi nazionali che possono imporre limiti e/o obblighi all'utilizzo dei DPI e all'approntamento dei sistemi di sicurezza,

di cui i DPI sono componenti. E' obbligo dell'utilizzatore e/o degli istruttori conoscere ed applicare tali leggi che potrebbero in taluni casi imporre obblighi differenti da quanto riportato in queste informazioni.

7 GARANZIA

Il fabbricante garantisce la conformità dei prodotti forniti alle caratteristiche convenute. La garanzia per vizi è limitata a difetti di fabbricazione e di materie prime: non comprende la normale usura, l'ossidazione, i danni provocati da uso improprio e/o in competizioni, da non corretta manutenzione, trasporto, conservazione o immagazzinamento, ecc.; decade immediatamente nel caso vengano apportate modifiche o manomissioni al prodotto. La validità corrisponde alla garanzia legale del paese in cui è stato venduto

il prodotto (massimo 3 anni), a decorrere dalla data di vendita, da parte del fabbricante. Decorso tale termine nessuna pretesa potrà essere avanzata nei confronti del fabbricante. Qualsiasi richiesta di riparazione o sostituzione in garanzia dovrà essere accompagnata da una prova di acquisto. Se il difetto è riconosciuto, il fabbricante si impegna a riparare o, a sua nostra discrezione, a sostituire o rimborsare il prodotto. In nessun caso la responsabilità del fabbricante si estende oltre il prezzo di fattura del prodotto.

8 INFORMAZIONI SPECIFICHE

Il bipode **817.400**, denominato **GRIZZLY** (fig. 1), è un dispositivo adatto per l'accesso in ambienti in cui è necessario proteggere le funi e traslare il punto di carico.

La portata del dispositivo, calcolata applicando un coefficiente di sicurezza 1:5, è di 300 kg.

Terminologia e materiali principali delle parti:
(A) Barre laterali in lega di alluminio, (B) Barra superiore in lega di alluminio, (C) Cavo in acciaio, (D) Basi in lega di alluminio, (E) Snodo in acciaio, (F) Collare in lega di alluminio, (G) Leva di bloccaggio, (H) Spina elastica di riferimento, (I) Punto di controventatura in acciaio, (L) Occhioli di collegamento, (M) Grilli in acciaio.

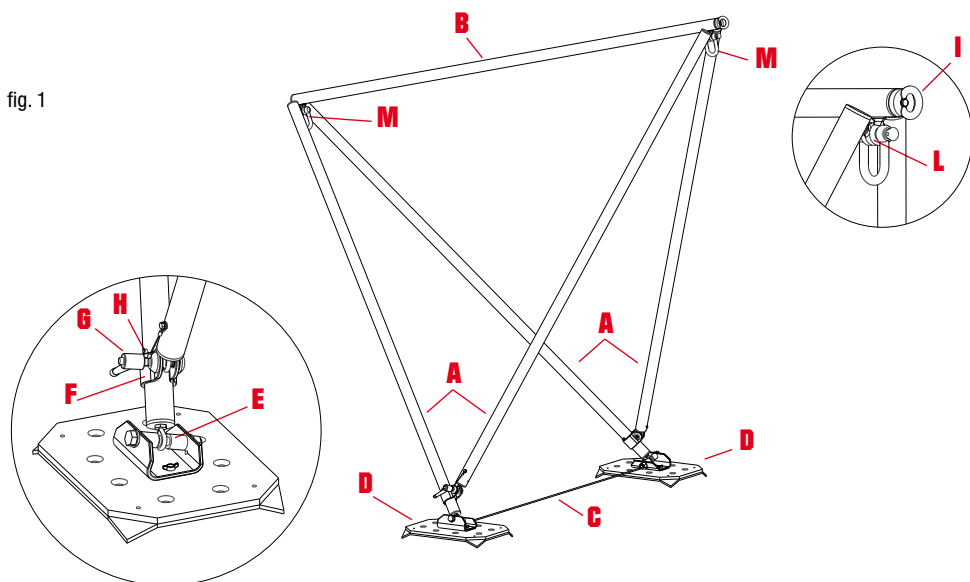
Il Grizzly è smontabile nelle seguenti parti:

- n. 2 coppie di barre laterali (A) collegate dal cavo in acciaio (C),
- n. 1 barra superiore (B),
- n. 2 basi (D),
- n. 2 grilli (M).

ATTENZIONE

Per l'utilizzo di questo dispositivo sono necessarie almeno 3 persone, tutte adeguatamente formate e addestrate al suo utilizzo.

fig. 1



8.1 Montaggio

- a) Disporre a terra le barre laterali (A) e la barra superiore (B) - (fig. 2).
- b) Collegare la barra superiore (B) alle barre laterali (A) inserendo negli occhioli di collegamento (L) i grilli (M) - (fig. 3).

Nota:

- verificare che i terminali delle barre da unire siano dello stesso colore (anteriore grigio e posteriore rosso),
- posizionare gli occhioli della barra superiore tra quelli delle barre laterali,
- avvitare e serrare i perni filettati dei grilli (M).

- c) Collegare le basi (D) mediante le apposite viti scegliendo il lato più idoneo alla superficie di appoggio disponibile:

- lato gommato per superfici di appoggio lisce e dure (fig. 4A),
- lato unghiato per superfici rugose, irregolari o morbide (fig. 4B),

Nota: consigliamo di collegare le basi utilizzando i fori centrali; nel caso non fosse possibile accertarsi che, quando si applica il carico, non si creino pericolose flessioni (fig. 5).

- e) Posizionare i collari (F) contro la spina elastica (H) e fissarli mediante la leva di bloccaggio (G) - (fig. 6).

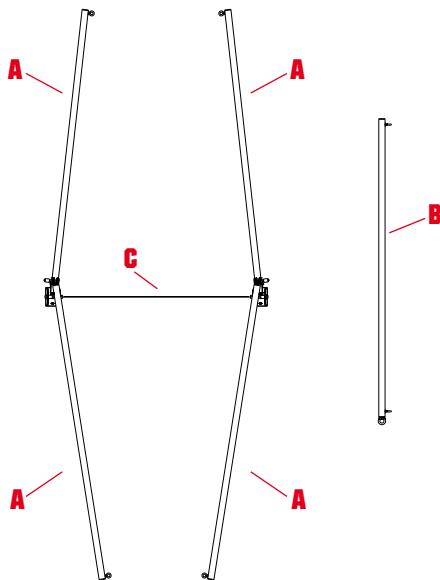


fig. 2

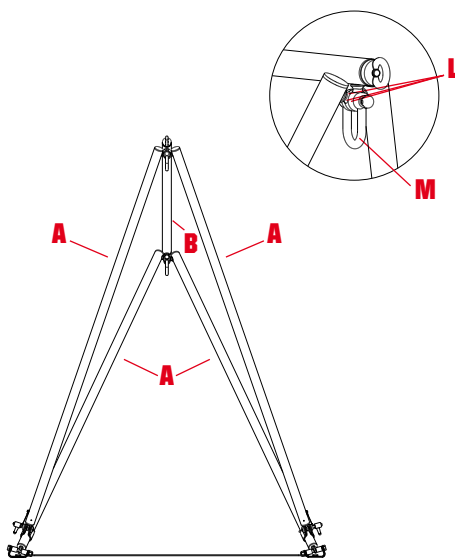


fig. 3

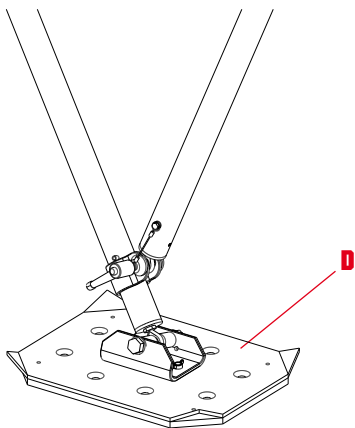


fig. 4A

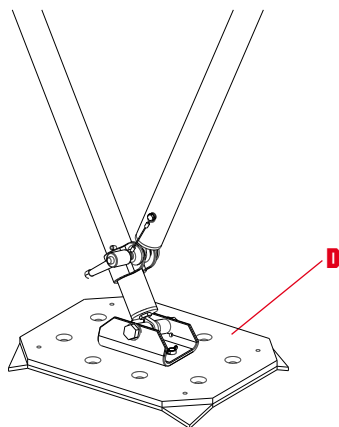


fig. 4B

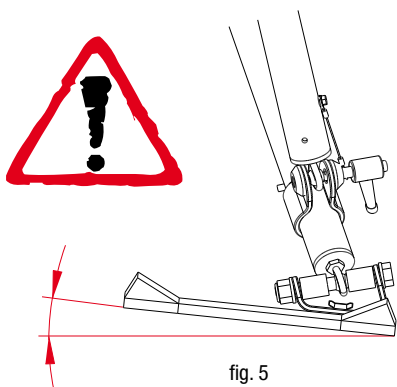


fig. 5

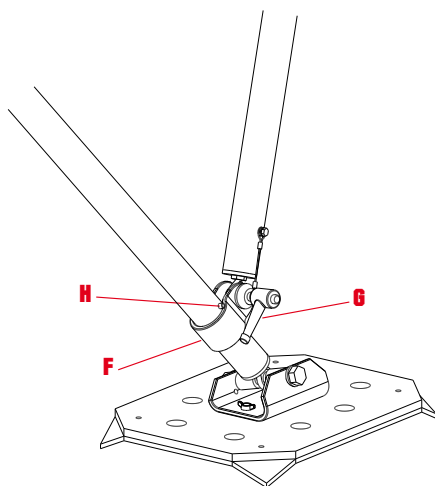


fig. 6

8.2 Posizionamento

Definizione delle posizioni: a riposo (fig. 7A), in carico/scarico (fig. 7B), operativo (fig. 7C).

- a) Collocare il Grizzly in posizione di lavoro sul punto di calata e individuare:
 - il punto di controventatura, come definito nella figura 8,
 - il punto di ancoraggio, come definito nella figura 9.
- b) liberare da ogni possibile ostacolo un'area di almeno 4 metri intorno al Grizzly,
- c) predisporre la fune semistatica per la controventatura, interporre un dispositivo di regolazione (ad es. Trimmer, Indy Evo) e collegarla al punto di controventatura (I) del Grizzly. **Importante:** regolare la lunghezza della fune in modo che la massima posizione raggiungibile dal Grizzly sia quella operativa (fig. 8),
- d) predisporre l'ancoraggio in base al tipo di utilizzo (leggere il punto 8.3).

ATTENZIONE

Prima di caricare il Grizzly gli operatori devono disporsi nel seguente modo:

- il più esperto e dotato di un sistema di comunicazione con il resto della squadra deve appoggiare la spalla ad una delle barre laterali (fig. 10); in questa posizione, durante le manovre di carico e scarico deve agire con forza sulla barra laterale,
- il secondo operatore, esperto di sistemi di calata e recupero, deve effettuare le manovre di calata e di recupero con il dispositivo scelto per l'operazione (leggere il punto 8.3),
- il terzo operatore deve aiutare o sostituire gli altri due.

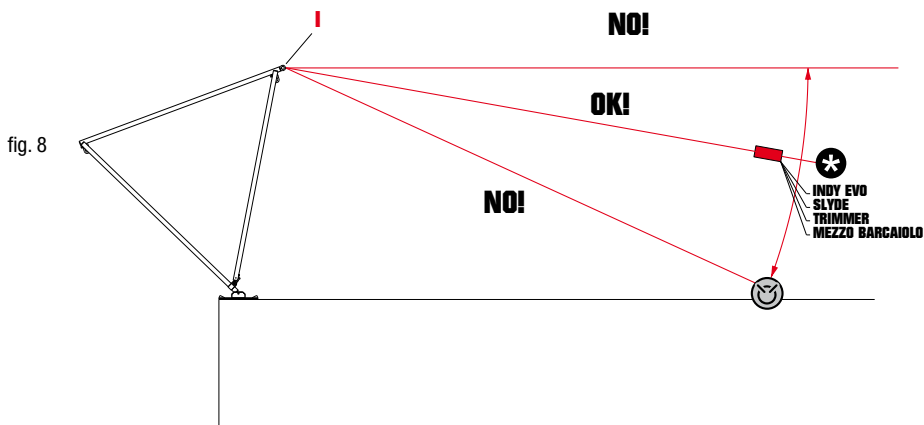
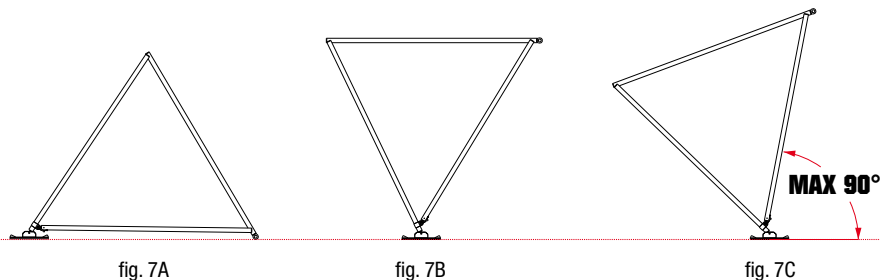
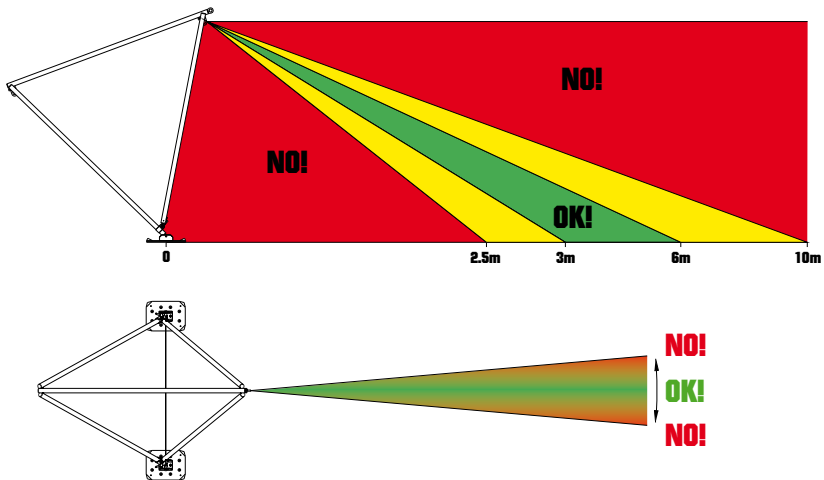


fig. 9



	Punto di controventatura
	Punto di ancoraggio
	Gestione manuale della fune

SL	SAFETY LINE linea di sicurezza
WL	WORKING LINE linea di lavoro
BR	BRACING ROPE funi di controventatura


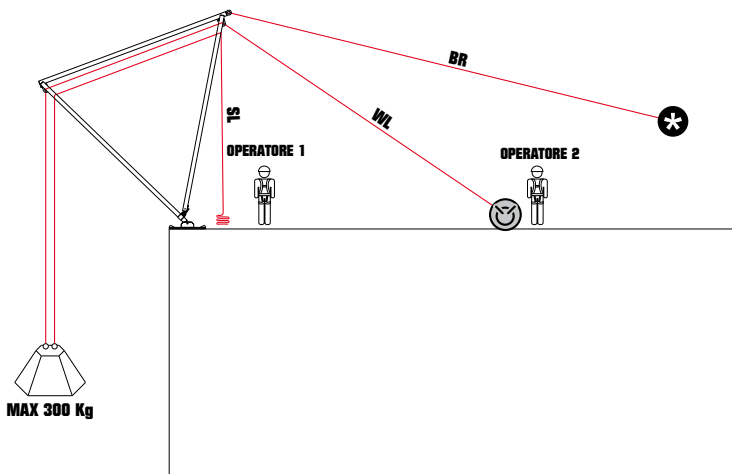
	Operatore
---	-----------

fig. 10



8.3 Utilizzo

- Esempio di corretto utilizzo per operazioni di:
- calata con fune semplice (fig. 11) e doppia (fig. 12),
 - recupero con fune semplice (fig. 13) e doppia (fig. 14),
 - calata e recupero con fune semplice (fig. 15) e doppia (fig. 16),
 - discesa (fig. 17) e risalita (fig. 18) su fune,
 - traslazione dei punti di carico (fig. 19).

Il Grizzly è adatto per calare e recuperare sia persone che materiali.

ATTENZIONE

Evitare l'uso promiscuo.

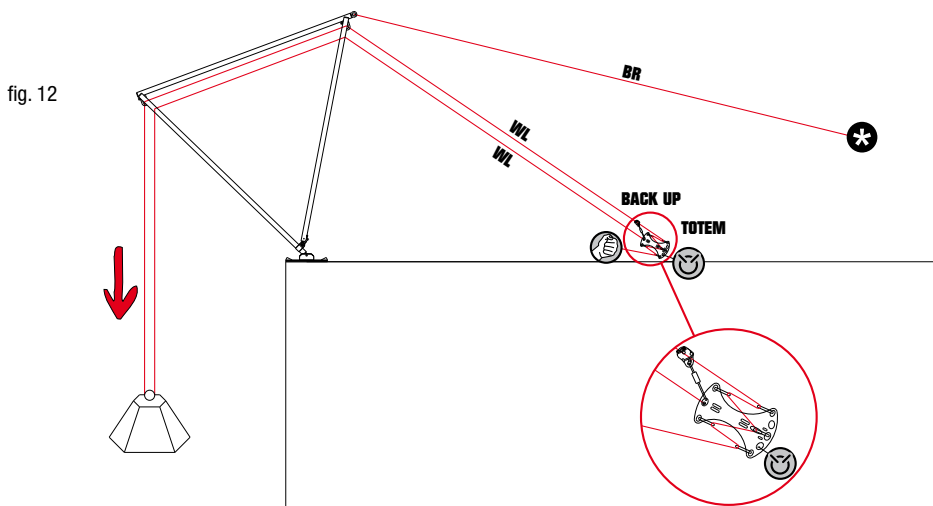
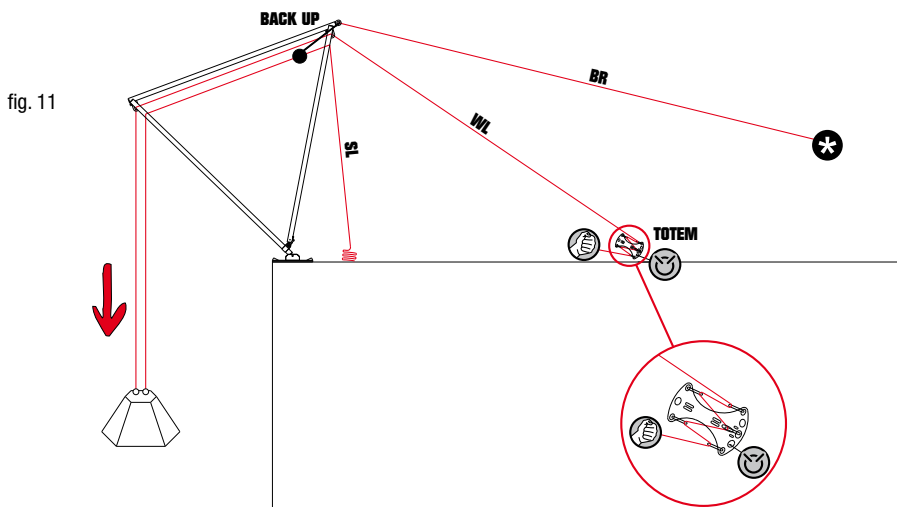


fig. 13

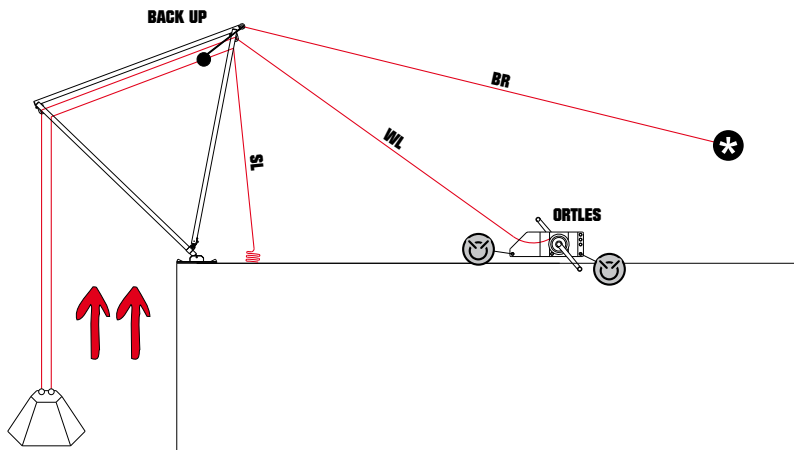


fig. 14

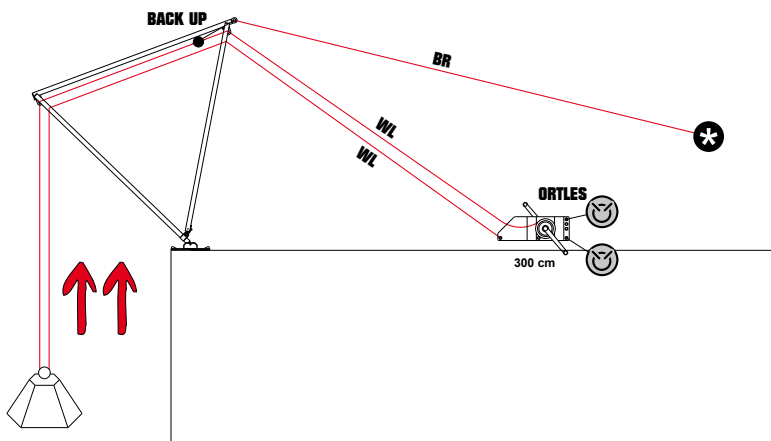


fig. 15

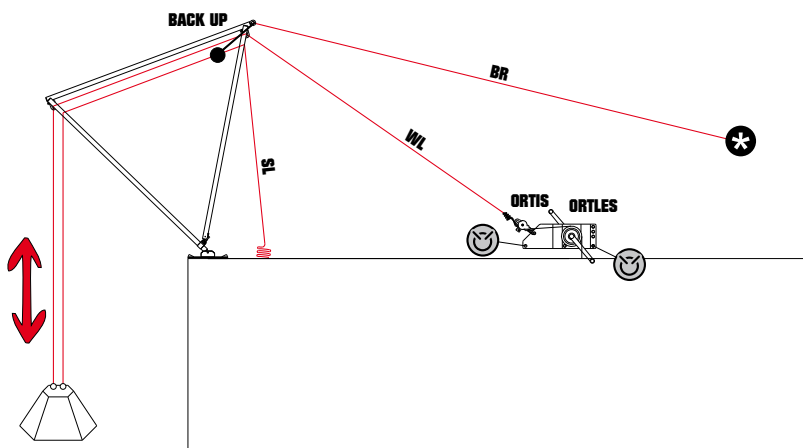


fig. 16

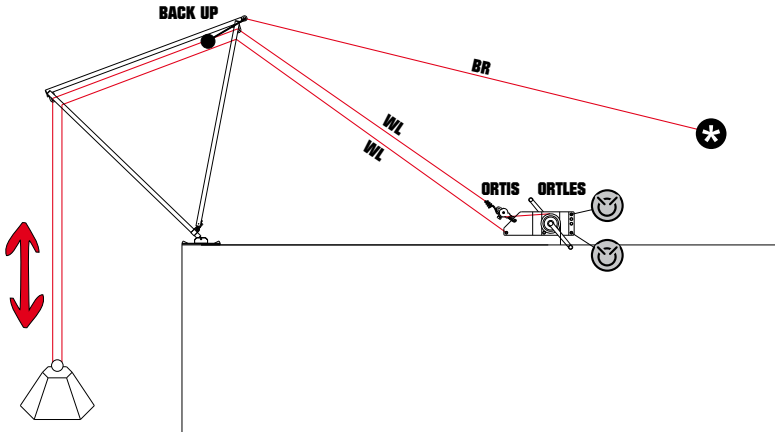


fig. 17

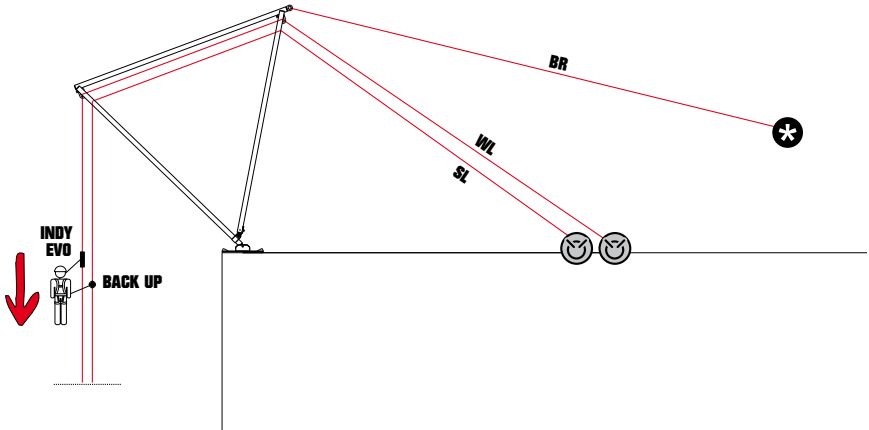


fig. 18

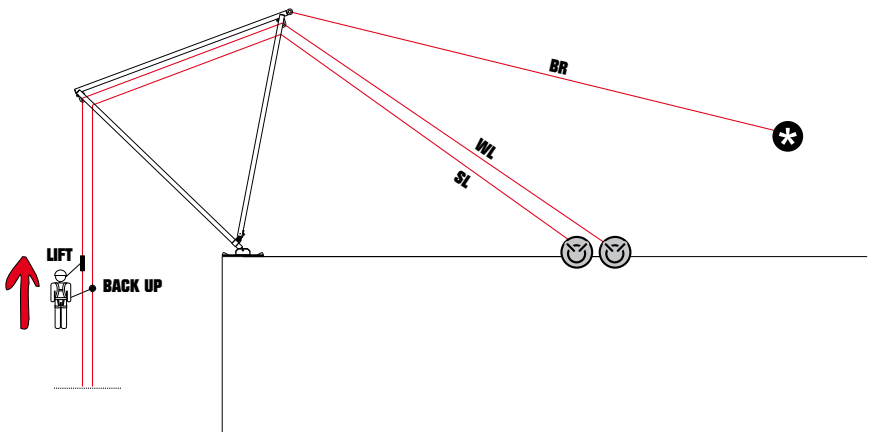
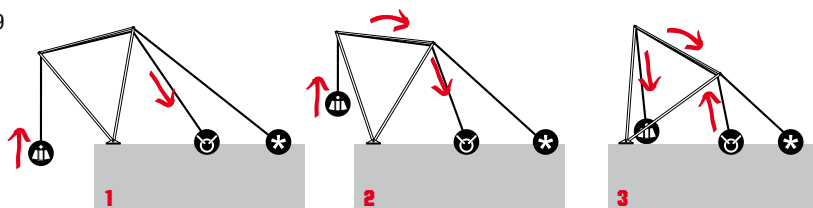


fig. 19



8.4 Accessori

Elenco degli accessori abbinabili al Grizzly:

- connettori: Ovalone (712.000), H.M.S. (786.000), Napik (957.000), Quick links (403.070, 600.080, 600.100).

Attenzione: utilizzare solo connettori conformi alla norma EN 362.

- Carrucole: Extra roll (820.00), Turbo roll (821.000), Pamir (826.000), Twin (827.000), Twin wire (827.020), Mini twin (827.010), Swing (992.000, 993.000, 994.000), inoltre, suddivisi per tipo di utilizzo:
- calata: Indy Evo (801.020), Ortis (822.000), Totem (884.000), Full (864.150), Gigi (859.000), recupero: Ortles (817.000), Maxi Hoist (208.000).

9 CONTROLLI PRE E POST USO

Controllare e assicurarsi che:

- il Grizzly non abbia subito deformazioni meccaniche, non presenti cricche, tracce di corrosione e che sia libero di ruotare sugli snodi (E),
- i collari (F) siano nella corretta posizione (fig. 6) fissati con la leva di bloccaggio (G).

Effettuate inoltre i controlli pre e post uso definiti sulle informazioni d'uso dei dispositivi utilizzati in abbinamento al Grizzly.

Ultimate i controlli effettuando, in posizione di assoluta sicurezza, una prova di funzionamento.



KONG s.p.a.

Via XXV Aprile, 4 - (zona industriale)

I - 23804 MONTE MARENZO (LC) - ITALY

Tel +39 0341630506 - Fax +39 0341641550

www.kong.it













GRIZZLY

#817.400

FR

TABLE DES MATIÈRES

	1 - INFORMATIONS GÉNÉRALES	5
	2 - TRAVAUX EN HAUTEUR	6
	3 - ENTRETIEN ET STOCKAGE	7
	4 - INSPECTIONS PÉRIODIQUES	7
	5 - DUREE DE VIE DU PRODUIT	8
	6 - OBLIGATIONS DE LOI	8
	7 - GARANTIE	8
	8 - INFORMATIONS PARTICULIÈRES	9
	8.1 Montage	10
	8.2 Positionnement	12
	8.3 Emploi	14
	8.4 Accessoires	17
	9 - CONTROLES AVANT ET APRES L'EMPLOI	17
	FICHE D'INSPECTION	18

1 INFORMATIONS GÉNÉRALES

A) Les informations données par le fabricant (ci-après dénommées informations) doivent être lues et bien comprises par l'utilisateur avant l'emploi de l'instrument.

ATTENTION

Les informations concernent la description des caractéristiques, des performances, du montage, du démontage, de l'entretien, de la conservation, de la désinfection, etc. de l'instrument. Même si elles contiennent quelques conseils à l'égard de son utilisation, elles ne doivent pas être considérées un mode d'emploi lors de situations réelles (de même qu'une brochure sur l'emploi et l'entretien d'une voiture ne vous apprend pas à conduire ou ne peut être considérée une substitution aux cours de conduite).

ATTENTION

La varappe sur roche ou glace, la descente en rappel, la via ferrata, la spéléologie, le ski alpinisme, le canyonisme, l'exploration, le secours, la grimpe d'arbres et les travaux en hauteur, sont toutes des disciplines comprenant les plus hauts risques, pouvant entraîner des accidents graves, voire mortels. Si vous n'êtes pas en mesure d'assumer ces responsabilités et de prendre ces risques, évitez l'emploi de cet instrument et abstenez-vous de pratiquer de telles activités. Vous êtes les seuls à devoir vous assumer entièrement tous les risques et les responsabilités de chaque dommage, blessure ou décès survenant à vous-mêmes ou à des tiers, suite à l'emploi de nos produits, de n'importe quelle nature qu'il soit. Apprenez l'emploi de cet instrument et assurez-vous d'en avoir complètement compris le fonctionnement et les limites, en cas de doute ne prenez pas de risques, demandez.

Rappelez-vous que :

- cet instrument doit être employé seulement par des personnes entraînées et compétentes, autrement l'utilisateur doit être constamment surveillé et supervisé par des personnes entraînées et compétentes qui doivent en garantir la mise en sécurité,
- vous êtes personnellement responsables de connaître cet instrument et d'en apprendre l'emploi et les mesures de sécurité.

B) Avant et après l'emploi, exécutez tous les contrôles décrits dans les informations spécifiques de chaque produit et en particulier assurez-vous que l'instrument soit :

- en conditions optimales et qu'il fonctionne correctement,
- idoine à l'emploi que vous entendez en faire, celle d'utiliser correctement cet instrument est une responsabilité de l'utilisateur, seules les techniques illustrées, sans être barrées, sont autorisées, tout autre emploi est interdit : danger de mort ! et conservez la "fiche des contrôles" correspondante rapportant les résultats des contrôles exécutés

C) Si vous avez le moindre doute sur les conditions de sécurité et d'efficacité de l'instrument, remplacez-le immédiatement. N'utilisez jamais l'instrument après une chute dans le vide, puisque des ruptures internes ou des déformations, invisibles à l'œil nu, peuvent en diminuer sensiblement la résistance. L'emploi incorrect, la déformation mécanique, la chute accidentelle de l'outil depuis le haut, l'usure, la contamination chimique, l'exposition à la chaleur, hors les conditions climatiques normales (instruments seulement en métal : -30/+100°C – instruments avec composants en tissu : -30/+50°C), sont quelques exemples d'autres causes pouvant réduire, limiter et même annuler la vie de votre dispositif.

Votre vie dépend de l'efficacité permanente de votre équipement (il est vivement recommandé que l'équipement soit pour un emploi personnel) et donc de son état (usure, stockage, contrôles etc.).

D) Cet instrument peut être employé en combinaison avec des équipements de protection individuelle répondant à la Directive 89/686/CEE, lorsque compatibles avec les informations correspondantes du dispositif. Lorsque vous entendez combiner deux (ou plus) dispositifs, lisez attentivement le mode d'emploi de tous deux.

E) La position de l'ancrage est fondamentale pour la sécurité de l'arrêt de la chute : évaluez avec attention la hauteur libre se trouvant sous l'utilisateur, la hauteur d'une chute éventuelle, l'allongement de la corde causé par la présence

d'un absorbeur d'énergie, la hauteur de l'utilisateur et l'effet "pendule" de façon à éviter tout obstacle possible (par exemple: le terrain, le frottement du matériel sur le rocher, etc.).

F) La résistance des points d'ancrage, soit naturels soit fixés dans la roche, n'est pas toujours garantie, c'est pourquoi une estimation critique préalable de la part de l'utilisateur est indispensable afin d'assurer une protection adéquate.

G) Il est absolument interdit de modifier et/ou réparer l'instrument : aucune responsabilité ne sera reconnue par le fabricant en cas de dommages, lésions ou décès causés par un emploi incorrect, modifications au produit, réparations exécutées par des personnes non autorisées ou par l'emploi de pièces de rechange non originales.

H) Au cours du transport évitez l'exposition de l'instrument aux rayons UV et aux sources de chaleur, le contact avec des agents chimiques ou d'autres substances corrosives, et protégez convenablement les éventuelles parties pointues ou coupantes.

ATTENTION

Ne jamais laisser votre équipement dans des voitures exposées au soleil !

I) Aux fins de votre sécurité vérifiez que l'instrument vous soit vendu : intègre, dans sa confection originale et avec les informations correspondantes. En ce qui concerne les produits vendus dans des pays différents de la destination établie le fabricant, le revendeur est contraint à vérifier et fournir la traduction de ces informations.

L) Tous nos produits sont réceptionnés/vérifiés pièce par pièce conformément aux procédures du Système Qualité selon la norme UNI EN ISO 9001. Les équipements de protection individuelle sont certifiés par l'organisme agréé, rapporté dans les instructions spécifiques du produit et, s'ils sont de catégorie III, également soumis à la surveillance de production, conformément à l'article 11/B de la Directive 89/686/CEE, de la part de l'organisme dont le numéro d'accréditation est marqué sur le produit.

ATTENTION

Les essais de laboratoire, les essais de réception, les informations et les normes ne peuvent pas toujours reproduire la pratique, c'est pourquoi les résultats obtenus dans les réelles conditions d'emploi du produit dans l'environnement naturel, peuvent différer et parfois même de façon considérable. Les meilleures instructions sont donc la pratique continue et l'emploi, sous la supervision d'instructeurs compétents et préparés.

2 TRAVAUX EN HAUTEUR

Informations additionnelles pour les systèmes de sécurité contre les chutes depuis le haut
Aux fins de la sécurité contre les chutes depuis le haut il est essentiel de :

- exécuter l'évaluation des risques et s'assurer que le système de sécurité tout entier, dont ce dispositif représente seulement un composant, soit fiable et sûr,
- préparer un plan de secours pour faire face aux urgences éventuelles qui pourraient surgir au cours de l'emploi du dispositif,
- s'assurer que le travail soit exécuté afin de minimiser les chutes éventuelles ainsi que leur hauteur,

- vérifier que les systèmes d'arrêt de chute soient conformes à la norme EN 363, et surtout que :

- le point d'ancrage soit conforme à la norme EN 795, garantisse une résistance minimale de 12 kN et soit préférablement placé au-dessus de l'utilisateur,
- les composants employés soient appropriés et certifiés selon les normes inhérentes au travail en hauteur que l'on entend développer.

IMPORTANT :

Dans un système antichute l'emploi d'un baudrier complet conforme aux normes en vigueur est obligatoire.

3 ENTRETIEN ET STOCKAGE

L'entretien de ce produit prévoit :

- le nettoyage : lorsque nécessaire, nettoyer l'instrument fréquemment avec de l'eau potable tiède (max. 40°C), en l'additionnant éventuellement à un détergent délicat. Rincer, éviter de le centrifuger et laissez-le sécher à l'ombre, loin de sources de chaleur directes,
- si la désinfection est nécessaire : baigner l'instrument pendant une heure en eau tiède additionnée de désinfectant, rincer ensuite avec de l'eau potable, bien essuyer et lubrifier. En ce qui concerne les produits textiles éviter la stérilisation en autoclave,
- la lubrification (seulement pour les produits en métal): lubrifier fréquemment les parties mobiles avec de l'huile à base de silicone. Éviter le contact entre les parties textiles et l'huile. Cette opération doit être exécutée après le nettoyage et le séchage total.

Stockage: après le nettoyage, le séchage et la lubrification, déposer les outils dans un lieu sec (humidité relative 40-90%), frais (température 5-40°C), sombre (éviter les radiations UV), chimiquement neutre (il faut absolument éviter les environnements salins et/ou acides), éloigné des arêtes vives, sources de chaleur, humidité, substances corrosives ou autres possibles conditions préjudiciables. Ne jamais stocker ce produit lorsqu'il est mouillé.

4 INSPECTIONS PÉRIODIQUES

Nous recommandons vivement que les contrôles avant et après l'emploi rapportés dans les instructions spécifiques du produit soient exécutés par une personne compétente. Hormis des dispositions de lois plus restrictives, nous conseillons, au moins chaque année, une inspection soignée de l'instrument, de la part d'une personne compétente. Les

résultats des inspections périodiques doivent être enregistrés sur la fiche de contrôle du produit ; il est nécessaire de préparer une fiche de contrôle pour chaque composant, sous-système et système (l'on rapporte un exemple de fiche de contrôle). Les inspections périodiques doivent vérifier aussi la possibilité de lecture des marquages du produit.

5 DUREE DE VIE DU PRODUIT

Lire le point 1C avec attention. La durée d'un produit exclusivement en métal est théoriquement illimitée tandis que celle des produits textiles et plastiques est de 10 ans à partir de la date de production, à condition que : l'entretien et le stockage aient été exécutés comme décrit au point 3, les contrôles avant et après l'emploi ainsi que périodiques n'identifient des défauts de fonctionnement, des déformations, de l'usure, etc. et que le produit soit employé correctement n'excédant

pas le ¼ de la charge marquée. N'utilisez pas des dispositifs obsolètes (par exemple ceux dont la durée est échue, dépourvus de la fiche de contrôle avec les enregistrements ajournés, non conformes aux normes en vigueur, non appropriés ou compatibles aux nouvelles techniques etc.). Éliminez les dispositifs obsolètes, déformés, soumis à usure, ne fonctionnant pas correctement, etc. en les détruisant afin d'en éviter tout emploi futur.

6 OBLIGATIONS DE LOI

L'activité professionnelle et l'activité sportive sont souvent réglées par des lois nationales dédiées, pouvant imposer des limites et/ou des impératifs sur l'emploi des EPI et sur la conception des systèmes de sécurité, dont

les EPI sont les composants. C'est un devoir de l'utilisateur et/ou des instructeurs que de connaître et d'appliquer ces lois qui pourraient parfois imposer des obligations différentes de celles rapportées dans ces informations.

7 GARANTIE

Le fabricant garantit la conformité aux caractéristiques officielles des produits fournis. La garantie contre les vices est limitée aux défauts de fabrication et des matières premières : elle ne comprend pas l'usure normale, l'oxydation, les dommages causés par un usage impropre et/ou lors de compétitions, par un entretien, transport, conservation ou stockage incorrects, etc. Elle déchoit immédiatement au cas où l'on devait apporter au produit des modifications ou des manipulations. La durée correspond à la garantie légale du Pays où

le produit est vendu (3 années maximum), à partir de la date de vente du fabricant. Après ce délai aucune prétention ne pourra être avancée à l'égard du fabricant. Toute requête de réparation ou substitution en garantie devra être accompagnée par un certificat d'achat. Au cas où le défaut serait reconnu, le fabricant s'engage à réparer ou, à son seul jugement, à substituer ou rembourser le produit. En n'aucun cas la responsabilité du fabricant pourra s'étendre au delà du prix de facturation de l'instrument.

8 INFORMATIONS PARTICULIÈRES

Le bipied **817.400**, dénommé **GRIZZLY** (fig. 1), est un équipement indiqué pour l'accès aux environnements où la protection des cordes et le déplacement du point de charge sont nécessaires.

La capacité de charge de l'équipement, calculée en appliquant un coefficient de sécurité de 1:5, est de 300 kg.

Nomenclature et matériaux principaux des pièces : (A) Barres latérales en alliage d'aluminium, (B) Barre supérieure en alliage d'aluminium, (C) Câble en acier, (D) Bases en alliage d'aluminium, (E) Articulation en acier, (F) Collier en alliage d'aluminium, (G) Levier de blocage, (H) Goupille élastique de référence,

(I) Point de contreventement en acier, (L) Œillet de connexion, (M) Manilles en acier.

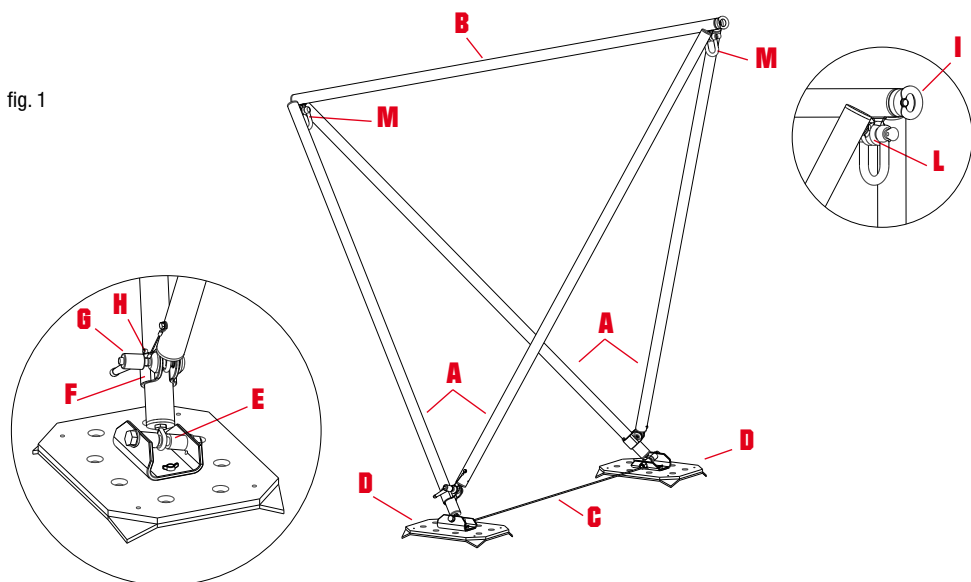
Les pièces suivantes de Grizzly sont démontables :

- 2 paires de barres latérales (A) reliées par le câble en acier (C),
- 1 barre supérieure (B),
- 2 bases (D),
- 2 manilles (M).

ATTENTION

Au moins 3 personnes, toutes adéquatement qualifiées et formées, sont nécessaires pour l'utilisation de cet équipement.

fig. 1



8.1 Montage

- a) Placer les barres latérales (A) et la barre supérieure (B) par terre - (fig. 2).
- b) Relier la barre supérieure (B) aux barres latérales (A) en introduisant les manilles (M) dans les œillets de connexion (L) - (fig. 3).

Remarque :

- vérifier que les extrémités des barres à relier soient de la même couleur (gris devant et rouge derrière),
 - placer les œillets de la barre supérieure entre ceux des barres latérales,
 - visser et serrer les pivots filetés des manilles (M).
- c) Relier les bases (D) à l'aide des vis prévues à cet effet, en choisissant le côté le mieux adapté à la surface d'appui :
 - côté caoutchouté pour les surfaces d'appui lisses et dures (fig. 4A),
 - côté à onglets pour les surfaces rugueuses, irrégulières ou molles (fig. 4B).

Remarque :

Il est conseillé de relier les bases en utilisant les orifices centraux ; si cela n'est pas possible, s'assurer qu'il ne se produise pas de fléchissements dangereux lors de l'application de la charge (fig. 5).

- e) Placer les colliers (F) contre la goupille élastique (H) et les fixer à l'aide du levier de blocage (G) - (fig. 6).

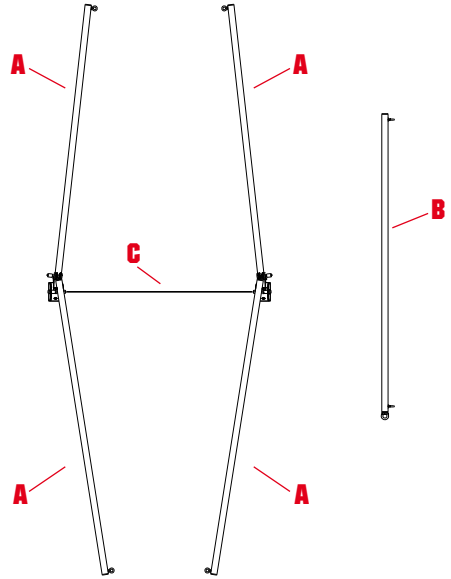


fig. 2

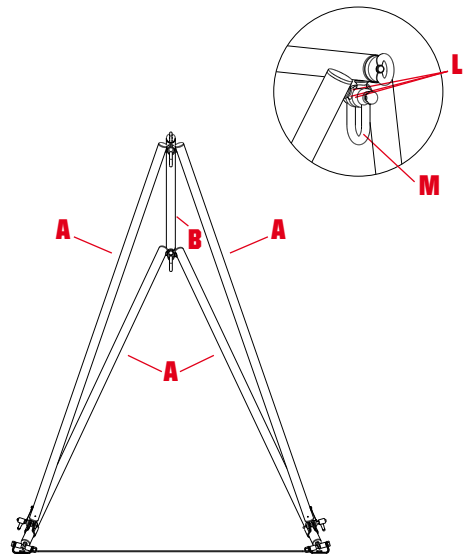


fig. 3

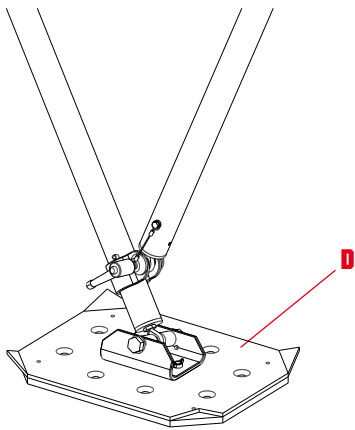


fig. 4A

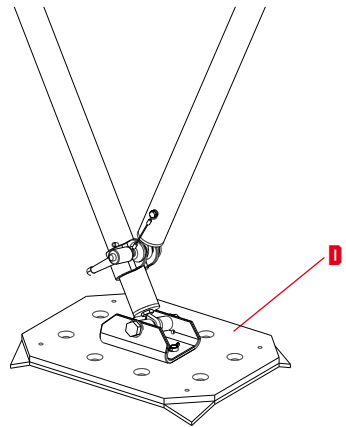


fig. 4B

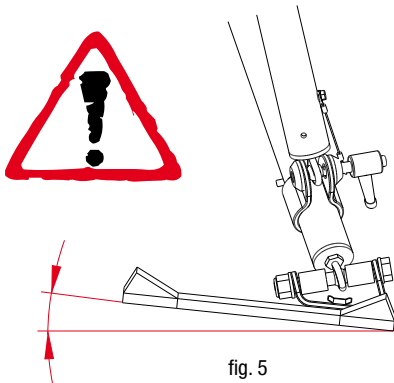


fig. 5

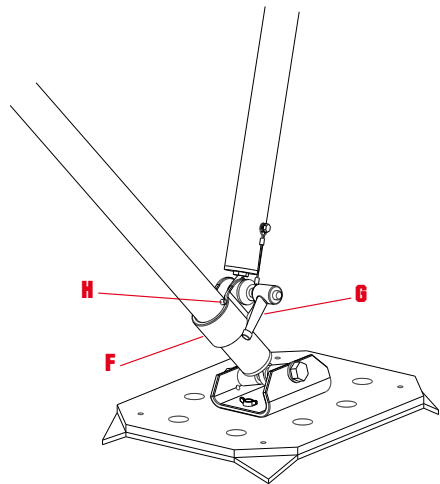


fig. 6

8.2 Positionnement

Définition des positions : au repos (fig. 7A), en charge/décharge (fig. 7B), opérationnelle (fig. 7C).

- a) Placer Grizzly en position de travail sur le point de descente et identifier :
 - le point de contreventement, comme le montre la figure 8,
 - le point d'ancrage, comme le montre la figure 9.
- b) libérer de tout obstacle possible une surface d'au moins 4 mètres autour de Grizzly,
- c) préparer la corde semi-statique pour le contreventement, interposer un dispositif de réglage (par ex. Trimmer, Indy Evo) et la relier au point de contreventement (I) de Grizzly.
Important : régler la longueur de la corde de sorte que la position maximale pouvant être atteinte par Grizzly soit la position opérationnelle (fig. 8),
- d) préparer l'ancrage en fonction du type d'emploi (lire le point 8.3).

ATTENTION

Avant de charger Grizzly, les opérateurs doivent se disposer de la façon suivante :

- le plus expert, et celui qui dispose d'un système de communication avec le reste de l'équipe, doit appuyer son épaule contre l'une des barres latérales (fig. 10) ; dans cette position, pendant les manœuvres de charge et de décharge, il doit agir avec force sur la barre latérale,
- le deuxième opérateur, expert en systèmes de descente et de récupération, doit effectuer les manœuvres de descente et de récupération avec le dispositif choisi pour l'opération (lire le point 8.3),
- le troisième opérateur doit aider ou remplacer les deux premiers.

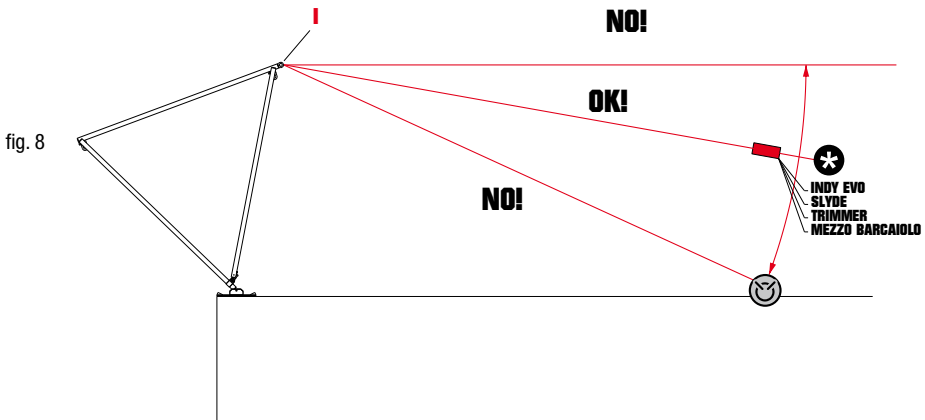
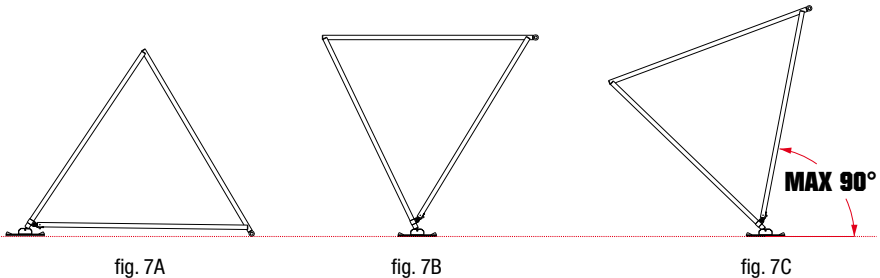
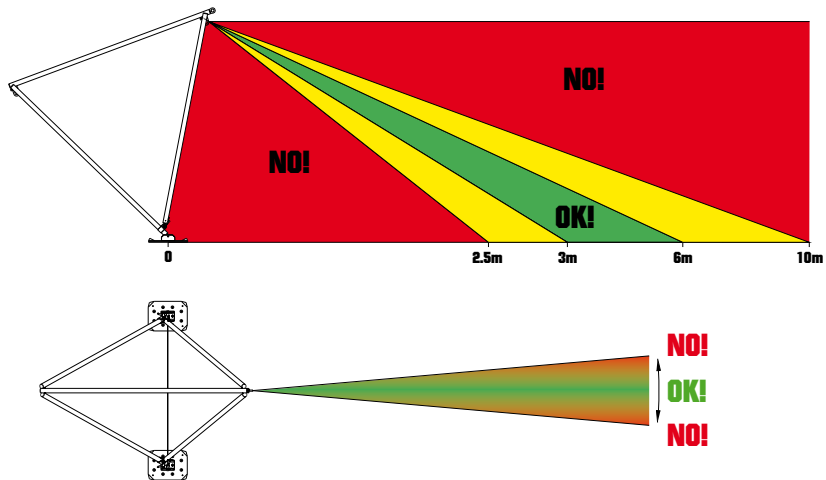





fig. 9



	Point de contreventement
	Point d'ancrage
	Gestion manuelle de la corde

SL	SAFETY LINE support de sécurité
WL	WORKING LINE support de travail
BR	BRACING ROPE corde de contreventement


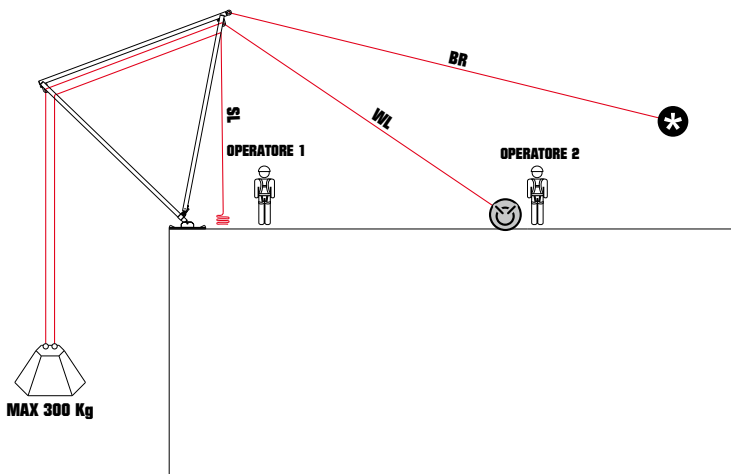
	Opérateur
---	-----------

fig. 10



8.3 Emploi

- Exemple d'emploi correct pour les opérations de :
- descente avec corde simple (fig. 11) et à double (fig. 12),
 - récupération avec corde simple (fig. 13) et à double (fig. 14),
 - descente et récupération avec corde simple (fig. 15) et à double (fig. 16),
 - descente (fig. 17) et remontée (fig. 18) sur corde,
 - déplacement des points de charge (fig. 19).

Grizzly est indiqué pour descendre et récupérer aussi bien des personnes que des matériaux.

ATTENTION

Éviter l'usage mixte.

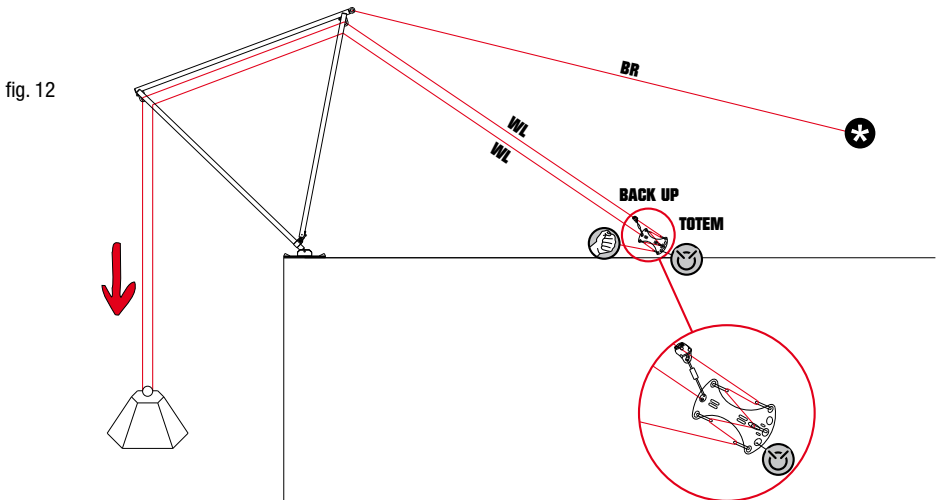
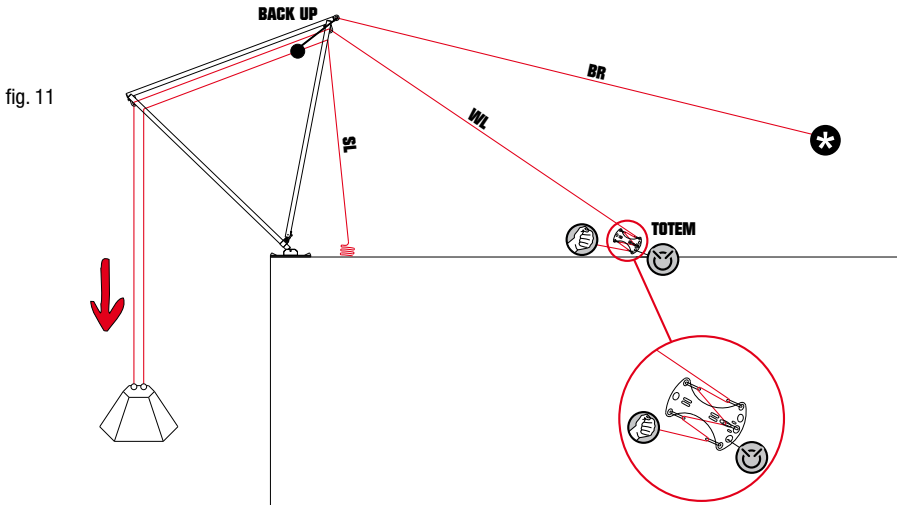


fig. 13

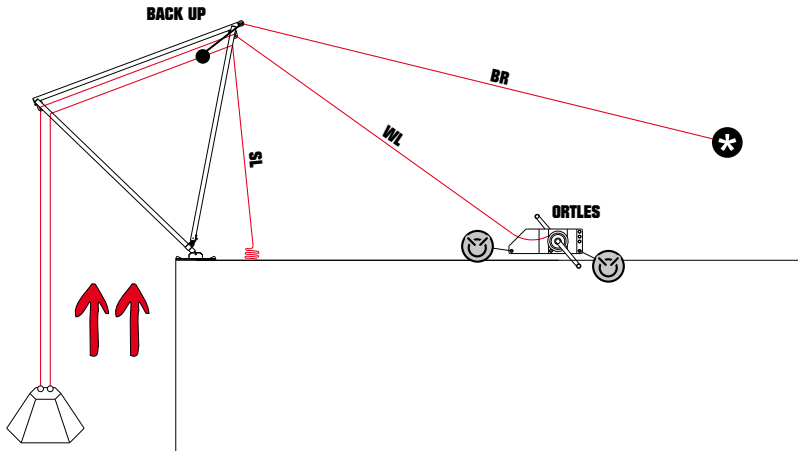


fig. 14

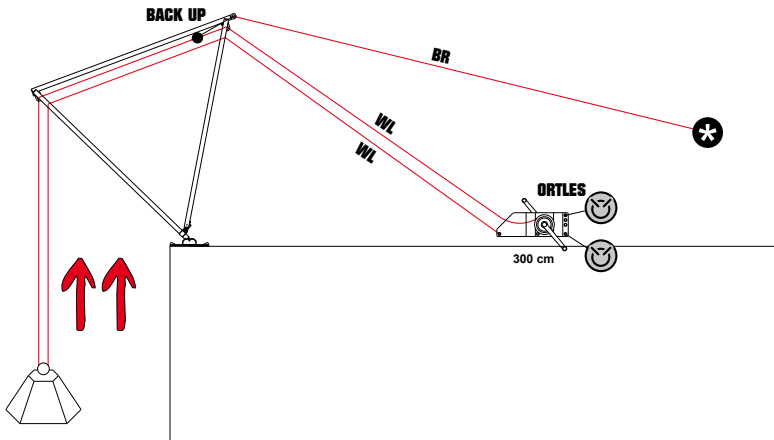


fig. 15

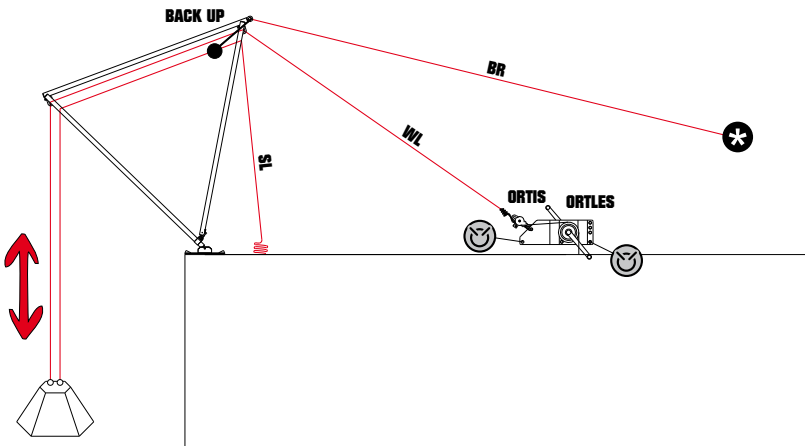


fig. 16

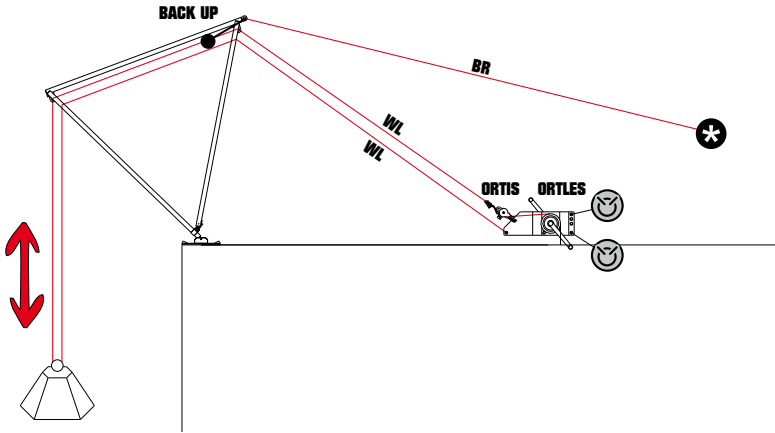


fig. 17

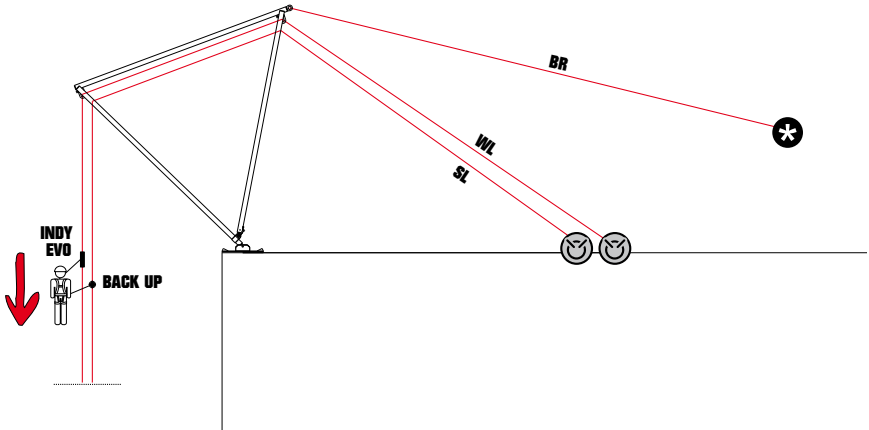


fig. 18

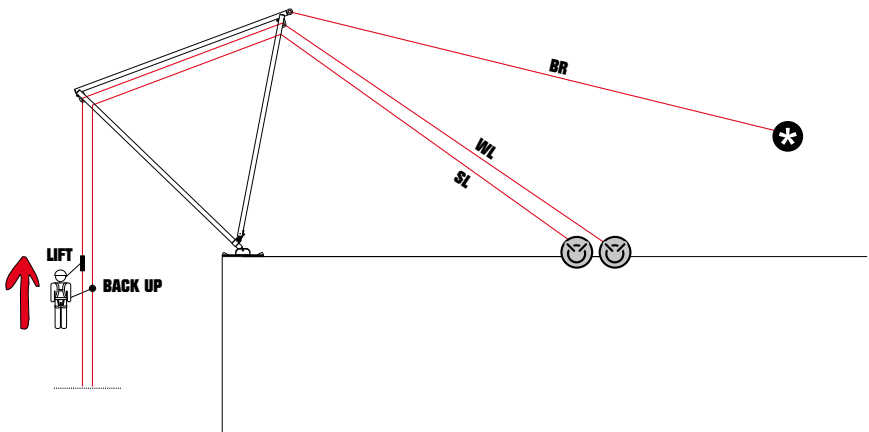
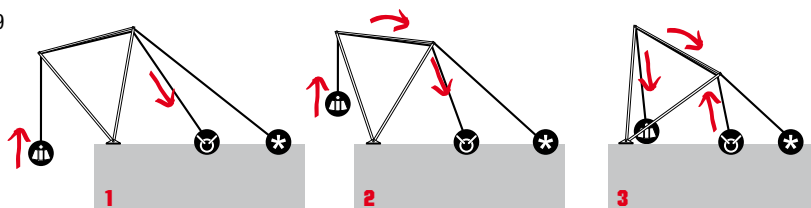


fig. 19



8.4 Accessoires

Liste des accessoires pouvant être associés à Grizzly :

- Mousquetons : Ovalone (712.000), H.M.S. (786.000), Napik (957.000), Quick links (403.070, 600.080, 600.100).

Attention : utiliser uniquement des mousquetons conformes à la norme EN 362.

- Poulies : Extra roll (820.00), Turbo roll (821.000), Pamir (826.000), Twin (827.000), Twin wire (827.020), Mini twin (827.010), Swing (992.000, 993.000, 994.000).

En outre, en fonction du type d'emploi :

- descente : Indy Evo (801.020), Ortis (822.000), Totem (884.000), Full (864.150), Gigi (859.000),

- récupération : Ortles (817.000), Maxi Hoist (208.000).

9 CONTROLES AVANT ET APRES L'EMPLOI

Vérifier et s'assurer que :

- Grizzly n'ait subi aucune déformation mécanique, ne présente pas de fissures ni de traces de corrosion, et qu'il soit libre de pivoter sur les articulations (E),
- les colliers (F) soient dans la position correcte (fig. 6), fixés par le levier de blocage (G).

Effectuez en outre les contrôles avant et après l'emploi définis dans les modes d'emploi des équipements utilisés en association avec Grizzly.

Terminez les contrôles en exécutant un essai de fonctionnement, en maintenant une position de sécurité absolue.



KONG s.p.a.

Via XXV Aprile, 4 - (zona industriale)

I - 23804 MONTE MARENZO (LC) - ITALY

Tel +39 0341630506 - Fax +39 0341641550

www.kong.it













GRIZZLY

#817.400

ES

ÍNDICE

	1 - INFORMACIONES GENERALES	5
	2 - TRABAJOS EN ALTURAS	6
	3 - MANTENIMIENTO Y ALMACENAMIENTO	7
	4 - INSPECCIONES PERIÓDICAS	7
	5 - DURACIÓN DEL PRODUCTO	8
	6 - OBLIGACIONES LEGALES	8
	7 - GARANTÍA	8
	8 - INFORMACIÓN ESPECÍFICA	9
	8.1 Montaje	10
	8.2 Posicionamiento	12
	8.3 Uso	14
	8.4 Accesorios	17
	9 - CONTROLES ANTES Y DESPUÉS DEL USO	17
	FICHA DE INSPECCIÓN	18

1 INFORMACIONES GENERALES

A) Las informaciones proporcionadas por el fabricante (seguidamente, informaciones) deben ser leídas y comprendidas bien por parte del utilizador antes del empleo del producto.

ATENCIÓN

Las informaciones abarcan la descripción de las características, de las prestaciones, del montaje, del desmontaje, del mantenimiento, de la conservación, de la desinfección, etc. del producto y, aunque contienen algunas sugerencias de empleo, no deben considerarse un manual de uso en las situaciones reales (así como un manual de uso y mantenimiento de un coche no enseña a conducir dicho vehículo y no puede sustituir a la autoescuela).

ATENCIÓN

La escalada en roca y hielo, el descenso en cuerda doble, la vía ferrata, la espeleología, el esquí-alpinismo, el barranquismo, la exploración, el socorrismo, el arbolismo y los trabajos en alturas son todas ellas actividades de alto riesgo y pueden comportar accidentes incluso mortales. Si usted no es capaz o no quiere asumir estas responsabilidades y correr estos riesgos, evite el uso de este producto y absténgase de la práctica de dichas actividades. Usted asume única y completamente todos los riesgos y las responsabilidades por todo daño, herida o muerte que pueda derivarse para usted o para terceras personas de la práctica de dichas actividades y del uso de todo nuestro producto, de cualquier tipo de producto se trate. Aprenda el uso de este producto y asegúrese de haber comprendido plenamente su funcionamiento y sus límites; en caso de duda no corra riesgos, pregunte antes.

Recuerde que:

- este producto debe ser utilizado sólo por personas preparadas y competentes; de no ser así el utilizador deberá ser constantemente seguido y supervisado por personas preparadas y competentes que deben garantizar su puesta en seguridad,

- usted es personalmente responsable de conocer este producto y de aprender su uso y sus medidas de seguridad.

B) Antes y después del uso efectúe todos los controles descritos en las informaciones específicas de cada producto y, en particular, asegúrese de que el producto esté:

- en condiciones óptimas y que funcione correctamente,
- idóneo para la utilización que pretenda darle. Es responsabilidad del utilizador usar correctamente este producto: se permiten sólo las técnicas no cruzadas, todo otro uso está prohibido: ¡peligro de muerte! Conservar la relativa "tarjeta de controles" con el registro de los resultados de los controles efectuados.

C) En el caso de cualquier duda sobre las condiciones de seguridad y de eficiencia del producto, sustitúyalo inmediatamente. No use el producto después de una caída, ya que roturas internas o deformaciones no visibles pueden disminuir considerablemente su resistencia. El uso incorrecto, la deformación mecánica, la caída accidental del equipo desde las alturas, el desgaste, la contaminación química, la exposición al calor por encima de las normales condiciones climáticas (productos sólo metálicos: $-30/+100^{\circ}\text{C}$ - productos con componentes textiles: $-30/+50^{\circ}\text{C}$), son algunos ejemplos de otras causas que pueden reducir, limitar e incluso anular la vida del producto.

Su vida depende de la eficiencia continua de su equipo (se aconseja encarecidamente que el equipo sea de uso personal) y de su historia (almacenamiento, controles, etc.).

D) Este producto puede usarse en combinación con equipos de protección individual conformes a la Directiva 89/686/CEE cuando sea compatible con las relativas informaciones del producto. Cuando desee combinar dos (o más) productos, lea atentamente las instrucciones de uso de ambos.

E) La posición del anclaje es básica para la seguridad de la parada de la caída: evalúe atentamente la altura libre presente debajo del utilizador, la altura de una posible caída, el

alargamiento de la cuerda debido a la presencia de un absorbidor de energía, la talla del utilizador y el efecto "péndulo" para evitar todo obstáculo posible (por ejemplo, el terreno, el roce del material en la roca, etc.).

F) La resistencia de los puntos de anclaje, tanto naturales como fijados en la roca, no está siempre garantizada, por lo que es indispensable el juicio crítico preventivo del utilizador para asegurar una protección adecuada.

G) Está absolutamente prohibido modificar y/o reparar el producto: el fabricante no reconocerá ninguna responsabilidad por daños, lesiones o muertes causadas por: uso impropio, modificaciones del producto, reparaciones efectuadas por personas no autorizadas o bien la utilización de recambios no originales.

H) Durante el transporte evite la exposición del producto a los rayos U.V. y a fuentes de calor, el contacto con reactivos químicos u otras sustancias corrosivas; proteja adecuadamente las partes puntiagudas o afiladas.

ATENCIÓN

¡No deje nunca su equipo en coches expuestos al sol!

I) Para su propia seguridad compruebe que el producto haya sido vendido: íntegro, en su paquete original y con las relativas informaciones. Para los productos vendidos en países distintos del destino original, el vendedor tiene la obligación de suministrar y comprobar la traducción de estas informaciones.

L) Todos nuestros productos son probados/controlados unidad por unidad de acuerdo con los procedimientos del Sistema de Calidad certificado según la norma UNI EN ISO 9001. Los equipos de protección individual son certificados por un organismo acreditado indicado en las instrucciones específicas del producto y, si pertenecientes a la III categoría, son sometidos también a la vigilancia de producción, según el artículo 11/B de la Directiva 89/686/CEE, por parte del organismo cuyo número de acreditación aparece marcado en el producto.

ATENCIÓN

Los tests de laboratorio, las pruebas, las informaciones y las normas no siempre consiguen reproducir la práctica, por lo que los resultados obtenidos en las condiciones reales de utilización del producto en el ambiente natural a veces pueden diferir de manera importante. Las mejores informaciones son la continua práctica de uso bajo la supervisión de instructores competentes y preparados.

2 TRABAJOS EN ALTURAS

Informaciones adicionales para los sistemas de seguridad contra las caídas desde arriba.

Para propósitos de seguridad contra las caídas desde arriba es esencial:

- realizar la evaluación de los riesgos y comprobar que todo el sistema de seguridad, del que este dispositivo es sólo un componente, resulte fiable y seguro,
- elaborar un plan de socorro para encarar posibles emergencias que podrían producirse durante el uso del dispositivo,
- compruebe que el trabajo se realice de manera que se reduzcan al mínimo las potenciales caídas y su altura,
- verifique que los sistemas de parada de las caídas sean conformes a la norma EN 363, en particular que:

- el punto de anclaje resulte conforme a la norma EN 795, garantice una resistencia mínima de 12 kN y esté posicionado preferentemente por encima del utilizador,
- los componentes utilizados sean adecuados y certificados de acuerdo con las normas inherentes al trabajo en altura que se desea efectuar.

IMPORTANTE:

En un sistema anticaída es obligatorio el uso de un arnés completo conforme a las normas vigentes.

3 MANTENIMIENTO Y ALMACENAMIENTO

El mantenimiento de este producto prevé:

- la limpieza: cuando sea necesario, lave frecuentemente el producto con agua potable tibia (máx. 40°C), añadiendo, si lo desea, un detergente delicado. Aclárelo, evite centrifugarlo y déjelo secar en la sombra y lejos de fuentes de calor directas,
- en caso necesario, la desinfección: sumerja el producto una hora en agua templada añadiendo desinfectante y después aclárelo con agua potable, séquelo y lubríquelo. Evite, para los productos textiles, la esterilización en autoclave,
- la lubricación (sólo para productos metálicos): lubrique frecuentemente las piezas móviles con aceite a base de silicona. Evite el contacto del aceite con las partes textiles. Esta operación debe efectuarse después de la limpieza y el secado completo.

Almacenamiento: después de la limpieza, el secado y la lubricación, deposite los equipos en un lugar seco (humedad relativa 40-90%), fresco (temperatura 5-40°C) y oscuro (evite las radiaciones U.V.), químicamente neutro (evite absolutamente los ambientes salinos y/o ácidos), lejos de objetos cortantes, fuentes de calor, humedad, sustancias corrosivas u otras posibles condiciones perjudiciales. ¡No almacene este producto mojado!

4 INSPECCIONES PERIÓDICAS

Aconsejamos encarecidamente que los controles antes y después del uso, indicados en las instrucciones específicas del producto, sean realizados por una persona cualificada. Salvo disposiciones de ley más restrictivas, recomendamos efectuar con una periodicidad al menos anual una cuidadosa inspección del producto por parte de una persona competente.

Los resultados de las inspecciones periódicas deben registrarse en la tarjeta de control del producto; es necesario preparar una tarjeta de control para cada componente, subsistema y sistema (se ilustra un ejemplo de tarjeta de control). Las inspecciones periódicas deben comprobar también la legibilidad de todo marcaje del producto.

5 DURACIÓN DEL PRODUCTO

Lea atentamente el apartado 1C. La duración de los equipos metálicos es teóricamente ilimitada, mientras que para los productos de tejido y en plástico es de 10 años desde la fecha de producción salvo que: el mantenimiento y el almacenamiento se hayan realizados según descrito en el apartado 3, los controles pre-uso, post-uso y periódicos no detecten defectos de funcionamiento, deformaciones, desgaste, etc., y el producto se utilice correctamente

sin superar $\frac{1}{4}$ de la carga marcada. No utilice dispositivos obsoletos (esto es, cuya duración haya caducado, desprovistos de la tarjeta de control con los registros actualizados, no conformes a las normativas vigentes, no adecuados o no compatibles con las actuales técnicas, etc.). Elimine los dispositivos obsoletos, deformados, desgastados, que no funcionen correctamente, etc., destruyéndolos para evitar todo uso futuro.

6 OBLIGACIONES LEGALES

La actividad laboral, la actividad deportiva y la actividad profesional a menudo están reguladas por las pertinentes Leyes nacionales las cuales pueden imponer límites y/o obligaciones para la utilización de los EPI y la preparación de los sistemas de seguridad, de los que los EPI son

componentes. Es obligatorio que el usuario y/o los instructores conozcan y apliquen dichas Leyes, las cuales en ciertos casos podrían imponer obligaciones diferentes a las recogidas en estas informaciones.

7 GARANTÍA

El fabricante garantiza la conformidad de los productos proporcionados a las características acordadas. La garantía por vicios está limitada a defectos de fabricación y de materias primas: no cubre el desgaste normal, la oxidación, los daños provocados por un uso impropio y/o en competiciones, por un mantenimiento, transporte, conservación o almacenamiento incorrectos, etc.; vence inmediatamente en caso de que se aporten modificaciones o forzamientos al producto. La duración corresponde a la garantía legal del país en

el que se ha vendido el producto (máximo 3 años), a partir de la fecha de venta del fabricante. Una vez vencido dicho plazo no se podrá plantear ninguna exigencia al fabricante. Toda solicitud de reparación o sustitución en periodo de garantía deberá estar acompañada de un justificante de compra. Si el defecto es reconocido, el fabricante se compromete a reparar o, a su discreción, sustituir o rembolsar el producto. En ningún caso la responsabilidad del fabricante se extiende más allá del precio de factura del producto.

8 INFORMACIÓN ESPECÍFICA

El bípode **817.400**, denominado **GRIZZLY** (fig. 1), es un dispositivo idóneo para el acceso a ambientes donde se han de proteger las cuerdas y trasladar el punto de carga.

La capacidad del dispositivo, calculada aplicando un coeficiente de seguridad de 1:5, es 300 kg.

Terminología y materiales principales de las partes: (A) Barras laterales en aleación de aluminio, (B) Barra superior en aleación de aluminio, (C) Cable de acero, (D) Soportes en aleación de aluminio, (E) Articulación de acero, (F) Abrazadera en aleación de aluminio, (G) Palanca de bloqueo, (H) Pasador elástico, (I) Punto de arriostamiento de acero, (L) Ojales de conexión, (M) Grilletes de acero.

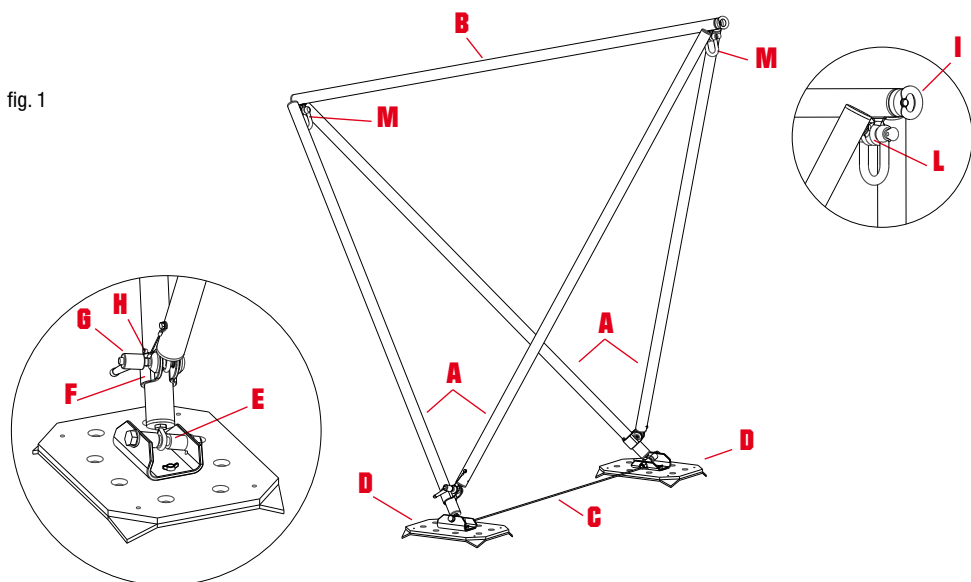
El Grizzly se desmonta en las siguientes partes:

- n.º 2 parejas de barras laterales (A) conectadas mediante el cable de acero (C),
- n.º 1 barra superior (B),
- n.º 2 soportes (D),
- n.º 2 grilletes (M).

ATENCIÓN

Para el uso de este dispositivo se requieren al menos 3 personas; todas ellas formadas y adiestradas adecuadamente sobre su uso.

fig. 1



8.1 Montaje

- a) Ponga las barras laterales (A) y la barra superior (B) - (fig. 2) en el suelo.
- b) Conecte la barra superior (B) a las barras laterales (A), introduzca en los ojalos de conexión (L) los grilletes (M) - (fig. 3).

Nota:

- verifique que los terminales de las barras que unir sean del mismo color (delantero gris y trasero rojo),
- sitúe los ojalos de la barra superior entre las de las barras laterales,
- enrosque y apriete los pernos roscados de los grilletes (M).

- c) Conecte los soportes (D) mediante los tornillos específicos, elija el lado más idóneo para la superficie de apoyo disponible:

- lado engomado para superficies lisas y duras de apoyo (fig. 4A),
- lado con enganches para superficies rugosas, irregulares o blandas (fig. 4B),

Nota:

Le aconsejamos conectar los soportes mediante los agujeros centrales; cuando no sea posible asegurarse de que, al aplicarse la carga, no se creen flexiones peligrosas (fig. 5).

- e) Coloque las abrazaderas (F) en contacto con el pasador (H) y use la palanca de bloqueo (G) - (fig. 6) para fijarlas.

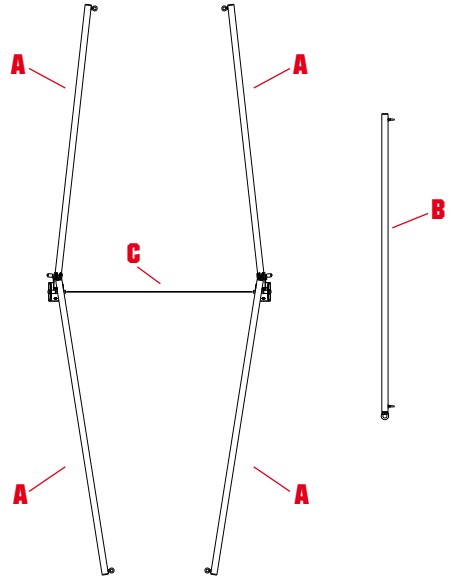


fig. 2

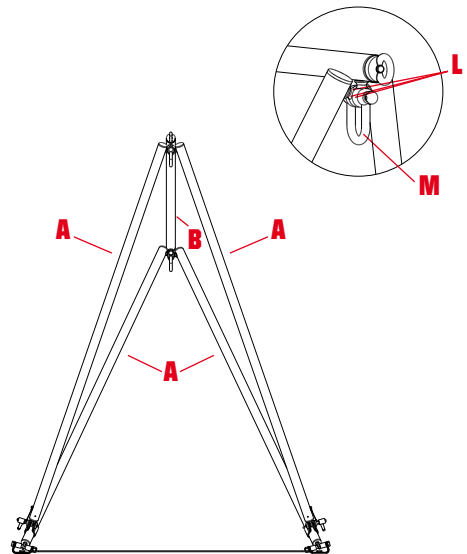


fig. 3

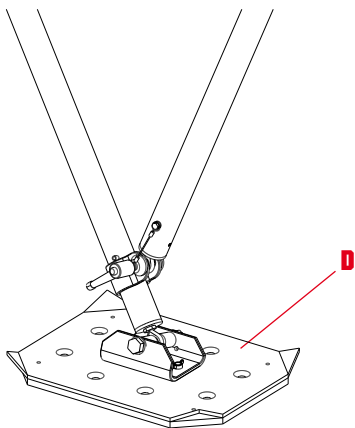


fig. 4A

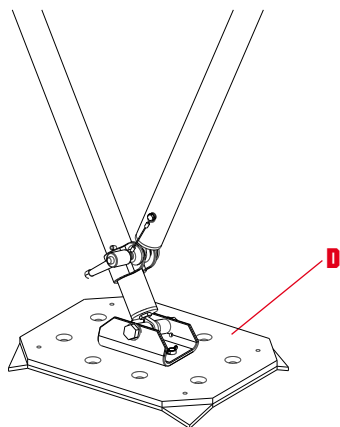


fig. 4B

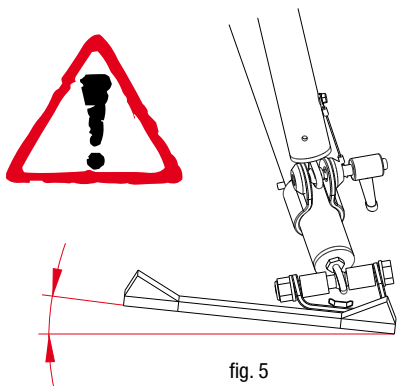


fig. 5

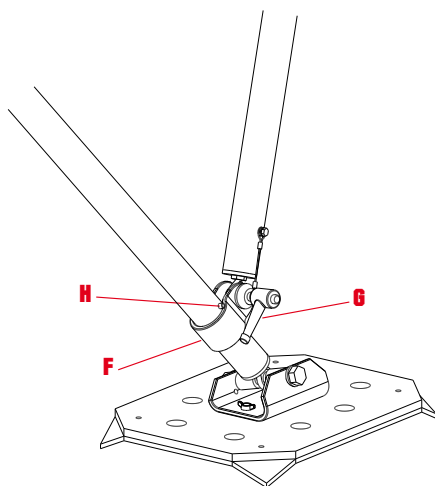


fig. 6

8.2 Posicionamiento

Definición de las posiciones: en reposo (fig. 7A), en carga/descarga (fig. 7B), operativo (fig. 7C).

- a) Sitúe el Grizzly en la posición de trabajo en el punto de bajada e identifique:
 - el punto de arriostamiento, según se define en la figura 8,
 - el punto de anclaje, según se define en la figura 9,
 - b) deje libre un área mínima de 4 metros alrededor del Grizzly,
 - c) prepare la cuerda semiestática para el arriostamiento, interponga un dispositivo de regulación (por ej. Trimmer, Indy Evo) y conéctelo al punto de arriostamiento (I) del Grizzly.
- Importante:** regule el largo de la cuerda para que la posición máxima alcanzable por el Grizzly sea la operativa (fig. 8),
- d) prepare el anclaje según el tipo de uso (lea el punto 8.3).

ATENCIÓN

Antes de cargar el Grizzly, los operadores han de situarse de la siguiente forma:

- el más experto, equipado con un sistema de comunicación con el resto de la plantilla, ha de apoyar el hombro en una de las barras laterales (fig. 10); en esta posición, durante las maniobras de carga y descarga ha de actuar con fuerza en la barra lateral.
- el segundo operador, experto en sistemas de bajada y rescate, ha de efectuar las maniobras de bajada y rescate con el dispositivo elegido para la operación (lea el punto 8.3),
- el tercer operador ha de ayudar o sustituir a los otros dos.

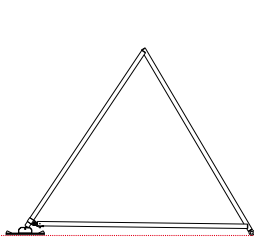


fig. 7A

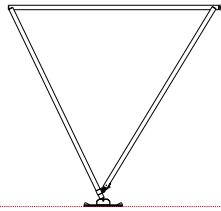


fig. 7B

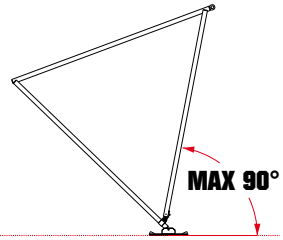


fig. 7C

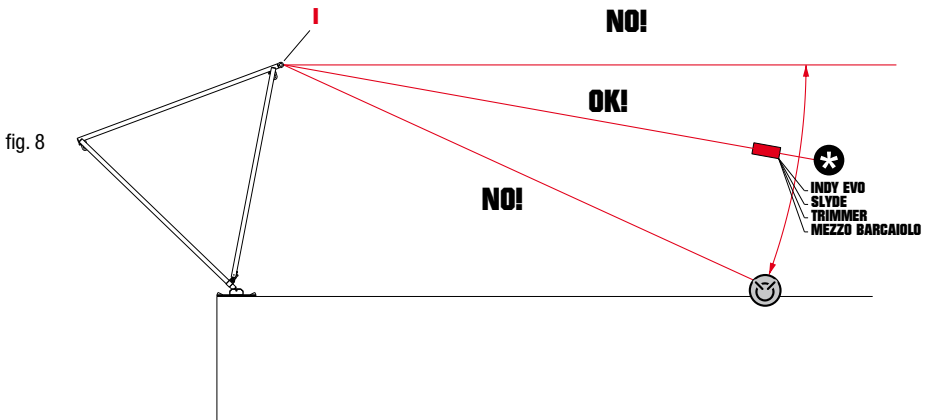
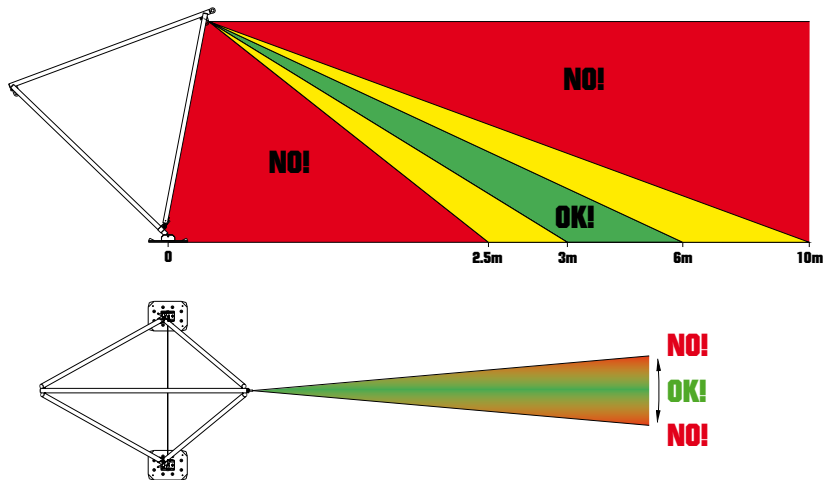





fig. 9



	Punto de arriostamiento
	Punto de anclaje
	Gestión manual de la cuerda

SL	SAFETY LINE línea de seguridad
WL	WORKING LINE línea de trabajo
BR	BRACING ROPE cuerda de arriostamiento

	Operador
---	----------

fig. 10

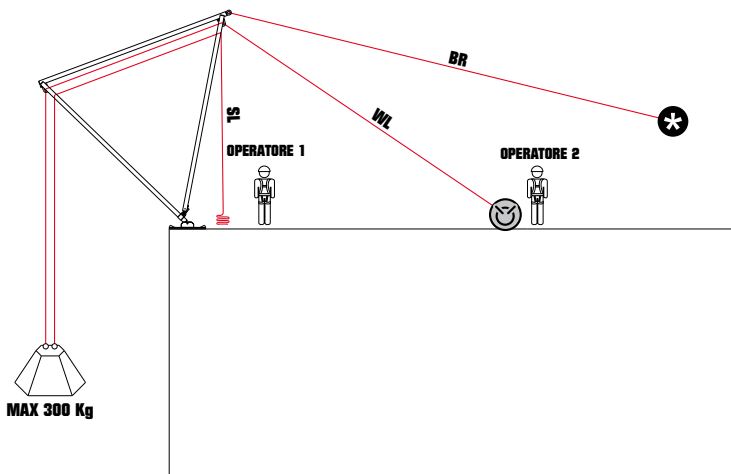


fig. 13

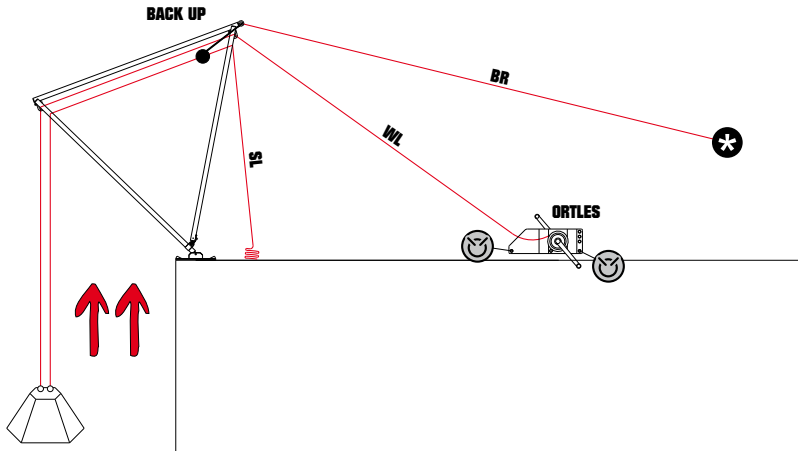


fig. 14

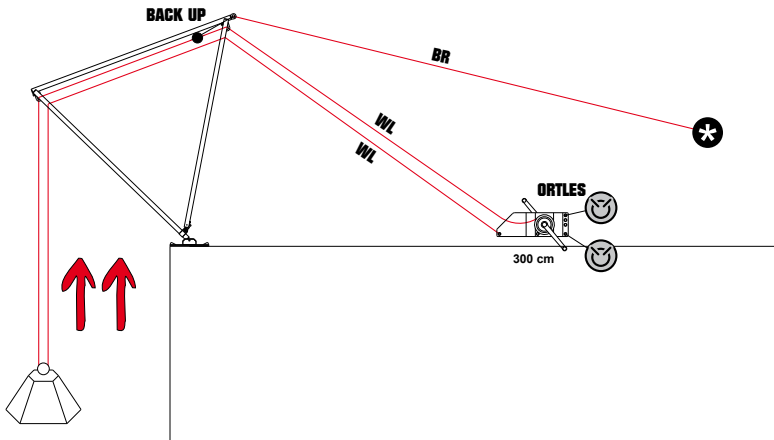


fig. 15

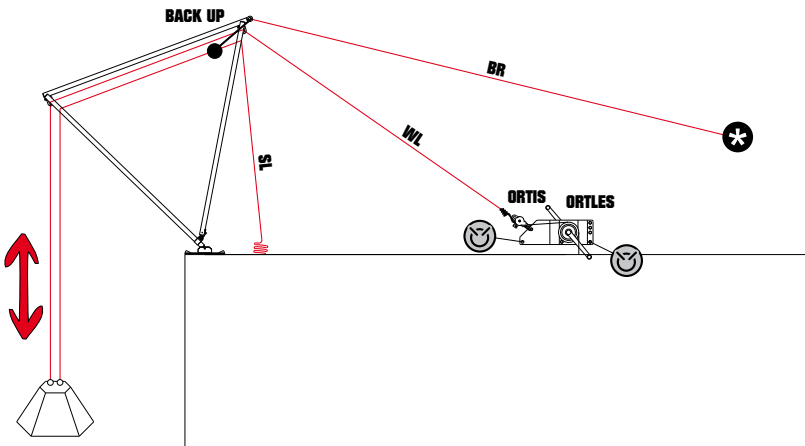


fig. 16

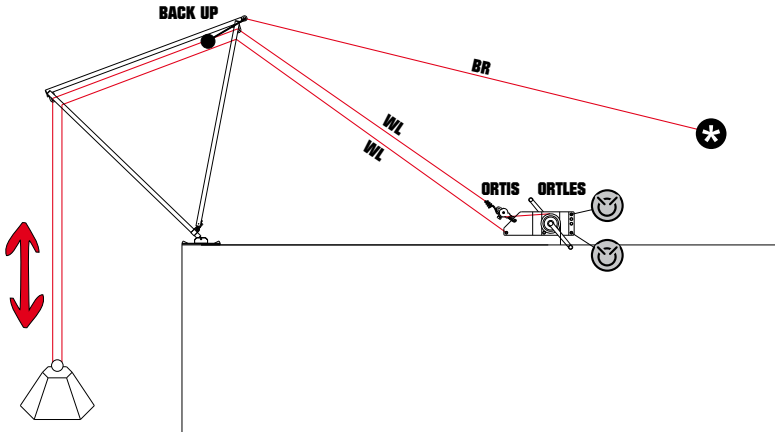


fig. 17

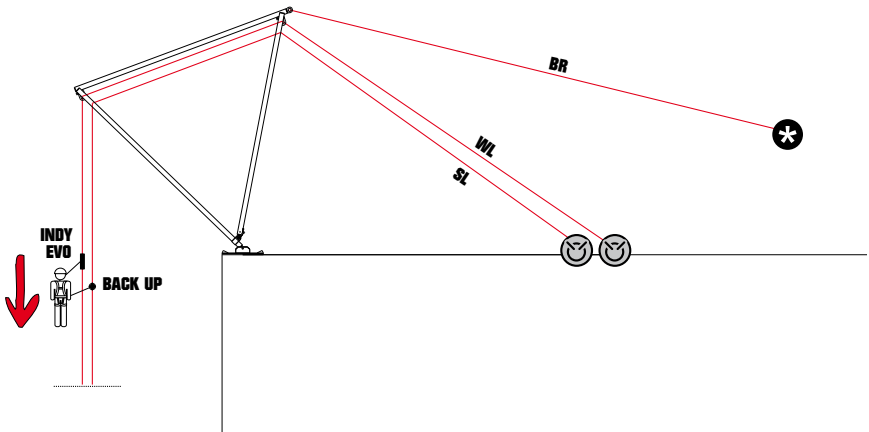


fig. 18

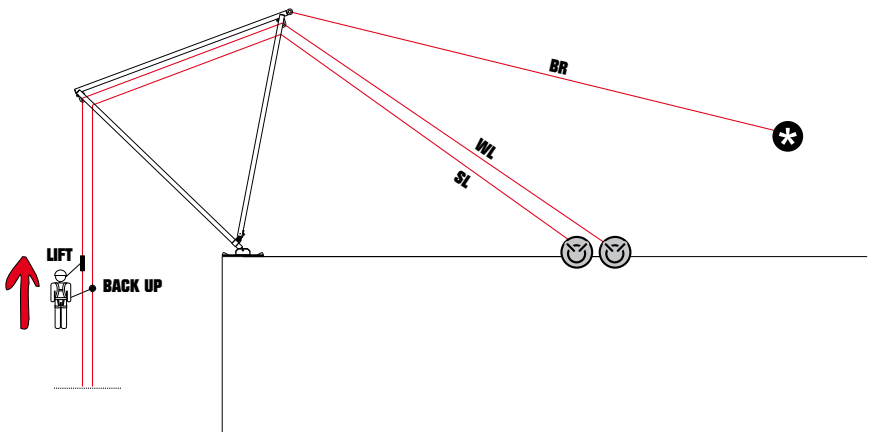
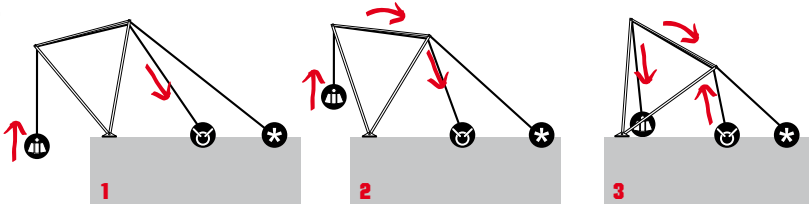


fig. 19



8.4 Accesorios

Lista de los accesorios combinables con el Grizzly:

- conectores: Ovalone (712.000), H.M.S. (786.000), Napik (957.000), Quick links (403.070, 600.080, 600.100).

Atención: use solamente conectores en cumplimiento de la norma EN 362.

- Garruchas: Extra roll (820.00), Turbo roll (821.000), Pamir (826.000), Twin (827.000), Twin wire (827.020), Mini twin (827.010), Swing (992.000, 993.000, 994.000), y además, subdivididos por el tipo de uso:
- bajada: Indy Evo (801.020), Ortis (822.000), Totem (884.000), Full (864.150), Gigi (859.000),
- rescate: Ortles (817.000), Maxi Hoist (208.000).

9 CONTROLES ANTES Y DESPUÉS DEL USO

Controle y asegúrese de que:

- el Grizzly no haya sufrido deformaciones mecánicas, no presente rajaduras, marcas de corrosión y gire libremente en las articulaciones (E),
- las abrazaderas (F) se encuentren en las posiciones correctas (fig. 6), fijadas con la palanca de bloqueo (G).

Asimismo efectúe los controles de antes y después del uso definidos en la información de uso de los dispositivos usados con el Grizzly. Termine los controles realizando una prueba de funcionamiento, en una posición de seguridad absoluta.



KONG s.p.a.

Via XXV Aprile, 4 - (zona industriale)

I - 23804 MONTE MARENZO (LC) - ITALY

Tel +39 0341630506 - Fax +39 0341641550

www.kong.it













GRIZZLY

#817.400

DE

INHALTSVERZEICHNIS

	1 - ALLGEMEINE INFORMATIONEN	5
	2 - ARBEITEN IN DER HÖHE	6
	3 - INSTANDHALTUNG UND LAGERUNG	7
	4 - REGELMÄSSIGE KONTROLLEN	7
	5 - STANDZEIT DES PRODUKTS	8
	6 - GESETZLICHE AUFLAGEN	8
	7 - GARANTIE	8
	8 - SPEZIFISCHE INFORMATIONEN	9
	8.1 Montage	10
	8.2 Positionierung	12
	8.3 Anwendung	14
	8.4 Zubehör	17
	9 - KONTROLLEN VOR UND NACH DEM GEBRAUCH	17
	PRÜFLISTE	18

1 ALLGEMEINE INFORMATIONEN

A) Die vom Hersteller gelieferten Informationen (nachstehend Informationen) müssen vom Anwender vor dem Einsatz des Produkts gelesen und gut verstanden werden.

ACHTUNG

Die Informationen betreffen die Beschreibung der Eigenschaften, der Leistungen, der Montage, des Abbaus, der Instandhaltung, der Aufbewahrung, der Desinfektion usw. des Produkts. Auch wenn sie einige Anwendungshinweise enthalten dürfen sie unter realen Umständen nicht als tatsächliche Bedienungsanleitung betrachtet werden (so wie die Betriebs- und Wartungsanleitung eines Autos einem nicht das Fahren beibringt und keine Fahrschule ersetzen kann).

ACHTUNG

Bergsteigen, Abseilen, Klettersteige, Höhlenforschung, Ski-Bergwandern, Canyoning, Erkundung, Rettungsdienst, Tree-Climbing, Arbeiten in der Höhe sind alles sehr gefährliche Aktivitäten, die Unfälle auch mit tödlichem Ausgang verursachen können. Wenn Sie nicht in der Lage oder Willens sind, diese Verantwortung zu tragen, sollten Sie dieses Produkt nicht benutzen und sich vom Betreiben dieser Aktivitäten enthalten. Nur Sie allein übernehmen voll und ganz alle Risiken und Verantwortung für Schäden, Verletzungen oder Tod, der Ihnen oder Dritten durch die Ausübung dieser Aktivitäten und durch den Gebrauch jedes unserer Produkte widerfahren kann, egal um welchen Typ es sich handelt. Lernen Sie den Einsatz dieses Produkts und vergewissern Sie sich, dass Sie seine Funktion und seine Einschränkungen vollkommen verstanden haben, im Zweifelsfall riskieren Sie nichts, sondern fragen Sie nach.

Denken Sie daran:

- Dieses Produkt darf nur von vorbereiteten und sachkundigen Personen verwendet werden, anderweitig muss der Anwender konstant von vorbereiteten und sachkundigen Personen überwacht werden, die dessen sichere Anwendung gewährleisten müssen
- Sie sind persönlich dafür verantwortlich, dieses Produkt zu kennen und dessen Anwendung sowie die Sicherheitsmaßnahmen zu erlernen.

B) Vor dem Gebrauch alle Kontrollen durchführen, die in den spezifischen Informationen jedes Produkts beschrieben sind. Stellen Sie vor allem sicher, dass das Produkt:

- in optimalem Zustand ist und dass es richtig funktioniert,
- es für den gedachten Einsatz geeignet ist. Es unterliegt der Verantwortung des Anwenders, dieses Produkt korrekt zu verwenden: Es sind nur die Techniken zulässig, die nicht durchgestrichen sind, jeder andere Einsatz ist verboten: Lebensgefahr!

Bewahren Sie die entsprechende Record-Tabelle mit den aufgezeichneten Kontrollergebnissen auf.

C) Wenn Sie auch nur den geringsten Zweifel an den Sicherheitsbedingungen und der Wirksamkeit des Produkts haben, ersetzen Sie es umgehend. Benutzen Sie das Produkt nicht mehr nach einem Absturz, da interne Brüche oder nicht sichtbare Beschädigungen die Widerstandskraft erheblich beeinträchtigen können. Der unsachgemäße Gebrauch, die mechanische Verformung, ein Herunterfallen der Ausrüstungen aus der Höhe, Verschleiß, chemische Kontaminierung, Wärmeeinwirkung über die normalen klimatischen Bedingungen hinaus (nur bei metallischen Produkten: $-30/+100^{\circ}\text{C}$ – Produkte mit textilen Komponenten: $-30/+50^{\circ}\text{C}$), sind einige Beispiele, die die Lebensdauer des Produkts verkürzen, einschränken und sogar aufheben können. Ihr Leben hängt von Ihrer Ausrüstung ab (es wird dringend empfohlen, die Ausrüstung nur für den persönlichen Gebrauch zu verwenden) und von deren Geschichte (Gebrauch, Lagerung, Kontrollen usw.).

D) Dieses Produkt kann in Verbindung mit persönlichen Schutzausrüstungen nach der Richtlinie 89/686/EWG verwendet werden, wenn dies mit den entsprechenden Produktinformationen kompatibel ist. Wenn Sie zwei (oder mehr) Produkte kombinieren wollen, lesen Sie sorgfältig die Gebrauchsanleitungen beider durch.

E) Die Position des Anschlagpunkts ist von grundlegender Wichtigkeit für die Sicherheit bei

einem Sturz im freien Fall: bewerten Sie sorgfältig die Höhe unter dem Anwender, die potentielle Fallhöhe, die Seilverlängerung bei Präsenz eines Aufpralldämpfers, die Statur des Anwenders und den Pendel-Effekt, um jedes mögliche Hindernis zu vermeiden (z.B. den Boden, das Reiben des Materials am Felsen usw.).

F) Die Festigkeit sowohl natürlichen als auch der im Fels befestigten Ankerstellen ist nicht immer gewährleistet, weshalb zuvor das kritische Urteil eines Anwenders erforderlich ist, um einen angemessenen Schutz zu sichern.

G) Es ist strengstens verboten, das Produkt zu verändern und/oder zu reparieren: Der Hersteller haftet nicht für Schäden, Verletzungen oder Tod, die verursacht werden durch: unsachgemäßen Einsatz, manipulierte Produkte, Reparaturen von autorisiertem Personal oder dem Einsatz von nicht Original-Ersatzteilen.

H) Beim Transport die Einwirkung von UV-Strahlen und Wärmequellen auf das Produkt, den Kontakt mit chemischen Mitteln oder anderen korrosiven Substanzen vermeiden. Schützen Sie das Produkt angemessen vor spitzen oder scharfen Teilen.

ACHTUNG

Lassen Sie Ihre Ausrüstung niemals in Autos liegen, die in der prallen Sonne stehen!

I) Für Ihre Sicherheit prüfen Sie, dass Ihnen das Produkt wie folgt verkauft wurde: unversehrt, in der Originalverpackung und mit den entsprechenden Informationen. Für Produkte, die in andere Länder als die ursprünglichen Bestimmungsländer verkauft werden, ist der Händler verpflichtet, diese Informationen zu prüfen und die Übersetzung derselben zu liefern.

L) Alle unsere Produkte werden in Übereinstimmung mit den Verfahren des nach UNI EN ISO 9001 zertifizierten Qualitätssystems Stück für Stück geprüft. Die persönlichen Schutzausrüstungen werden von einer benannten Stelle zertifiziert, die in den spezifischen Produkthanleitungen genannt ist, und, wenn in Klasse III, auch der Kontrolle der Produktion lt. Artikel 11/B der Richtlinie 89/686/EWG, durch die benannte Stelle unterzogen, deren Akkreditierungsnummer auf dem Produkt markiert ist.

ACHTUNG

Trotz aller Anstrengungen schaffen es die Labortests, die Abnahmeprüfungen, die Informationen und Normen nicht immer, die Praxis wiederzugeben, weshalb die Resultate, die bei tatsächlichen Einsatzbedingungen des Produkts in der natürlichen Umgebung erhalten werden, manchmal auch beachtlich hiervon abweichen können. Die besten Anleitungen sind die ständige Gebrauchspraxis unter der Aufsicht kompetenter und geschulter Lehrer.

2 ARBEITEN IN DER HÖHE

Zusatzinformationen für Sicherheitssysteme zum Schutz vor Sturz aus der Höhe

Für die Sicherheit zum Schutz vor Stürzen aus der Höhe ist es wesentlich:

- eine Risikoeinschätzung vorzunehmen und dass Sie sicherstellen, dass das gesamte Sicherheitssystem, dessen Bestandteil diese Vorrichtung nur ist, zuverlässig und sicher ist,
- Einen Notfallplan vorzubereiten, um eventuell auftretende Notfälle zu beheben, die bei dem Gebrauch der Vorrichtung eintreten können,
- Sicherzustellen, dass die Arbeit so ausgeführt wird, dass die möglichen Stürze und deren Höhe auf ein Mindestmaß reduziert werden.

- Sicherzustellen, dass die Absturzschutzsysteme der EN 363 entsprechen und dass insbesondere:
 - der Anschlagpunkt der EN 795 entspricht, einen Mindestwiderstand von 12 kN garantiert und vorzugsweise oberhalb des Anwenders positioniert ist,
 - die benutzten Komponenten geeignet und nach den Normen für Arbeiten in der Höhe zertifiziert sind die ausgeführt werden sollen.

WICHTIG:

Bei einem Absturzschutzsystem muss unbedingt ein Ganzkörper-Auffanggurt nach den einschlägigen Vorschriften verwendet werden.

3 INSTANDHALTUNG UND LAGERUNG

Die Instandhaltung dieses Produkts sieht vor:

- Reinigung: Wenn notwendig, das Produkt häufig mit lauwarmem Trinkwasser reinigen (max. 40°C), ggf. ein mildes Reinigungsmittel zufügen. Es anspülen, nicht schleudern und im Schatten und entfernt von direkten Wärmequellen trocknen lassen,
- Wenn eine Desinfektion erforderlich ist: Das Produkt eine Stunde in lauwarmes Wasser legen, das mit einem Desinfektionsmittel versetzt wurde, dann mit Trinkwasser abspülen, trocknen und schmieren. Bei Textilprodukten nicht im Autoklav sterilisieren,
- Schmierung (nur bei metallischen Produkten) Die beweglichen Teile häufig mit Öl auf Silikonbasis schmieren. Die Textilteile nicht mit dem Öl in Berührung bringen. Schmieren, wenn die Teile gereinigt und komplett getrocknet sind.

Lagerung: Nach dem Reinigen, Trocknen und Schmieren die Ausrüstungsgegenstände trocken (rel. Luftfeuchte 40-90%), kühl (Temperatur 5-40°C) und vor Sonnenlicht geschützt lagern (UV-Strahlung vermeiden), an einem chemisch neutralen Ort (unbedingt salzhaltige bzw. saure Umgebungen vermeiden), entfernt von spitzen Kanten, Wärmequellen, Feuchtigkeit, korrosiven Substanzen oder anderen möglichen negativen Einflüssen aufbewahren. Dieses Produkt nicht nass lagern!

4 REGELMÄSSIGE KONTROLLEN

Wir empfehlen eindringlich, die Kontrollen vor und nach dem Gebrauch, die in den spezifischen Produktanleitungen genannt sind, von einer fachkundigen Person ausführen zu lassen. Vorbehaltlich strengerer gesetzlicher Auflagen empfehlen wir mindestens ein Mal im Jahr eine gründliche Kontrolle des Produkts durch eine sachkundige geschulte und vom Hersteller befugte Person. Die Resultate

der regelmäßigen Kontrollen müssen auf der Kontrollkarte des Produkts vermerkt werden. Für jede Komponente, jedes System und Teilsystem ist eine eigene Kontrollkarte erforderlich (es wird das Beispiel einer Kontrollkarte gezeigt). Die regelmäßigen Kontrollen müssen auch die Lesbarkeit der Produktmarkierungen prüfen.

5 STANDZEIT DES PRODUKTS

Sorgfältig Punkt 1C lesen. Die theoretische Lebensdauer der metallischen Vorrichtungen ist unbegrenzt, während die der textilen Produkte und der Kunststoffprodukte auf 10 Jahre ab Produktionsdatum begrenzt ist, vorausgesetzt, dass: die Instandhaltung und Lagerung so ausgeführt werden, wie unter Punkt 3 beschrieben, die Kontrollen vor und nach dem Gebrauch sowie die regelmäßigen Überprüfungen keine Funktionsstörungen, Verformungen, Verschleiß usw. aufzeigen und dass das Produkt korrekt eingesetzt wird,

wobei $\frac{1}{4}$ der markierten Last nicht überschritten werden darf. Keine veralteten Vorrichtungen verwenden (z.B. bei Überschreiten der Standzeit, die keine Record-Tabelle mit der Eintragung der Kontrollen aufweisen, die nicht den geltenden Auflagen entsprechen, nicht mit den aktuellen Techniken kompatibel oder für diese geeignet sind usw.). Veraltete, verformte oder verschleite usw. Vorrichtungen beseitigen und diese dabei zerstren, um eine mgliche zuknftige Verwendung zu vermeiden.

6 GESETZLICHE AUFLAGEN

Arbeit, Sport und berufliche Ttigkeiten werden hufig von einschlgigen Landesgesetzen geregelt, die Einschrnkungen nach sich ziehen knnen bzw. das Tragen von PSA und die Vorbereitung von Sicherheitssystemen

verlangen, deren Bestandteile die PSA sind. Es obliegt dem Anwender bzw. den Lehrern, diese Gesetze zu kennen und anzuwenden, die in einigen Fllen andere Vorschriften umfassen, als in diesen Informationen beschrieben.

7 GARANTIE

Der Hersteller garantiert die Konformitt der gelieferten Produkte mit den vereinbarten Merkmalen. Die Mngelgarantie ist auf die Fabrikationsfehler und Rohstoffmngel begrenzt: Sie umfasst nicht den normalen Verschlei, Rosten, Schden durch unsachgemen Gebrauch bzw. Verwendung bei Wettkmpfen, durch unsachgeme Instandhaltung, Transport, Aufbewahrung oder Lagerung usw. Die Garantie verfllt bei nderungen oder Manipulationen des Produkts. Die Standzeit entspricht der gesetzlichen Garantie in dem Land, in dem das Produkt verkauft wurde (maximal 3 Jahre),

ab dem Verkaufsdatum durch den Hersteller. Nach Ablauf dieser Frist knnen gegenber dem Hersteller keine Ansprche mehr geltend gemacht werden. Jede Anfrage einer Reparatur oder eines Auswechslens im Rahmen der Garantie muss vom Kaufbeleg begleitet werden. Wenn der Defekt anerkannt wird, dann verpflichtet sich der Hersteller zur Reparatur oder nach ihrem Dafrhalten zum Auswechslen oder zur Geldrckgabe des Produkts. Die Haftung des Herstellers geht in keinem Fall ber den Rechnungspreis des Produkts hinaus.

8 SPEZIFISCHE INFORMATIONEN

Das Zweibein **817.400**, genannt **GRIZZLY** (Abb. 1), ist eine Vorrichtung für den Zugang zu Umgebungen, bei denen ein Schutz der Seile und eine Verschiebung des Lastpunkts erforderlich ist.

Die Traglast der Vorrichtung, die unter Anwendung eines Sicherheitskoeffizienten von 1:5 berechnet wird, beträgt 300 kg.

Terminologie und wichtigste Materialien der Teile: (A) Standrohre aus Aluminiumlegierung, (B) Stütz- und Zugrohr aus Aluminiumlegierung, (C) Stahlkabel, (D) Grundplatten aus Aluminiumlegierung, (E) Stahlgelenk, (F) Manschette aus Aluminiumlegierung, (G) Klemmhebel, (H) elastischer Stift,

(I) Verstrebungsstelle aus Stahl, (L) Verbindungsösen, (M) Schäkel aus Stahl.

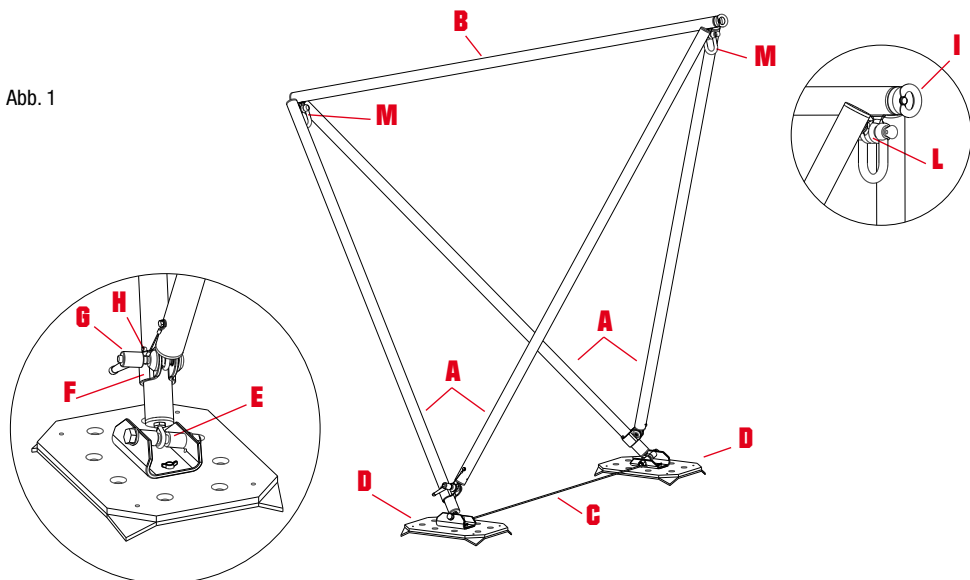
Der Grizzly lässt sich in folgende Teile zerlegen:

- 2 Standrohrpaare (A) die über das Stahlkabel (C) verbunden sind,
- 1 Stütz- und Zugrohr (B),
- 2 Grundplatten (D),
- 2 Schäkel (M).

ACHTUNG

Für den Gebrauch dieser Vorrichtung sind mindestens 3 Personen erforderlich, die alle angemessen bezüglich deren Benutzung ausgebildet und geschult sein müssen.

Abb. 1



8.1 Montage

- a) Die beiden Standrohre (A) und das Stütz- und Zugrohr (B) auf den Boden legen - (Abb. 2).
- b) Das Stütz- und Zugrohr (B) an den Standrohren (A) anschließen und dazu die Schäkkel (M) in die Verbindungsösen (L) einsetzen - (Abb. 3).

Hinweis:

- Sicherstellen, dass die Endstücke der zu verbindenden Rohre die gleiche Farbe haben (vorne grau und hinten rot),
 - die Ösen des Stütz- und Zugrohrs zwischen denen der Standrohre positionieren,
 - die Gewindezapfen der Schäkkel (M) einschrauben und festziehen.
- c) Die Grundplatten (D) mit den entsprechenden Schrauben verbinden und dabei die Seite wählen, die am besten für die vorhandene Auflagefläche passt:
 - Gummiseite für glatte und harte Oberflächen (Abb. 4A),
 - Seite mit Haken für raue, unregelmäßige oder weiche Oberflächen (Abb. 4B),

Hinweis

Wir raten an, die Grundplatten unter Verwendung der zentralen Löcher miteinander zu verbinden. Sollte dies nicht möglich sein, müssen Sie sicherstellen, dass es bei der Lastanwendung nicht zu gefährlichen Biegungen kommt (Abb. 5).

- e) Die Manschetten (F) gegen den elastischen Stift (H) positionieren und dann mit dem Klemmhebel (G) fixieren - (Abb. 6).

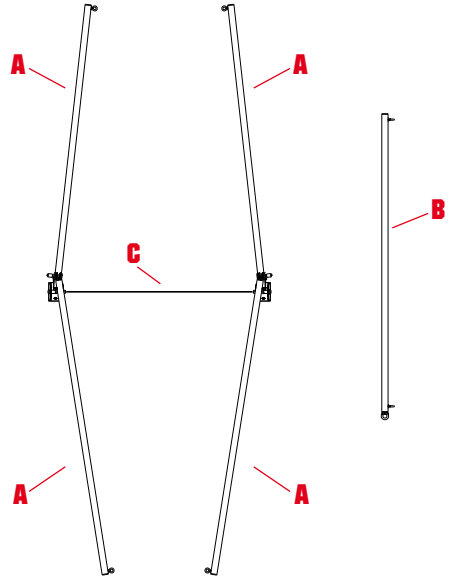


Abb. 2

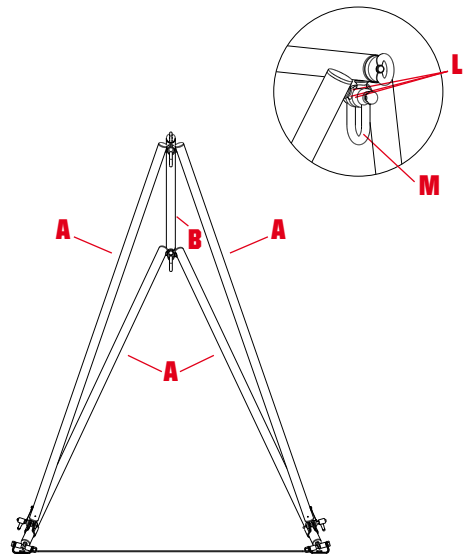


Abb. 3

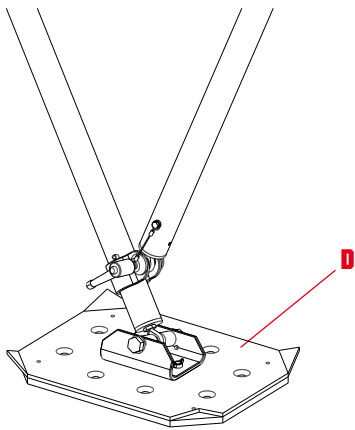


Abb. 4A

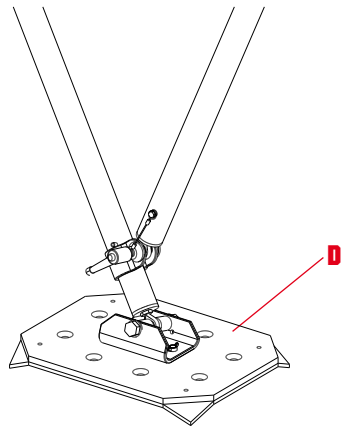


Abb. 4B

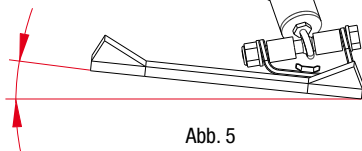


Abb. 5

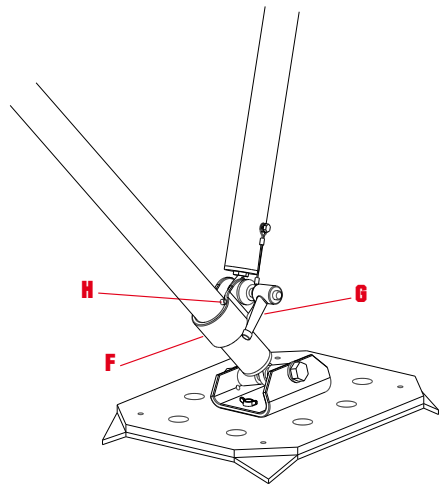
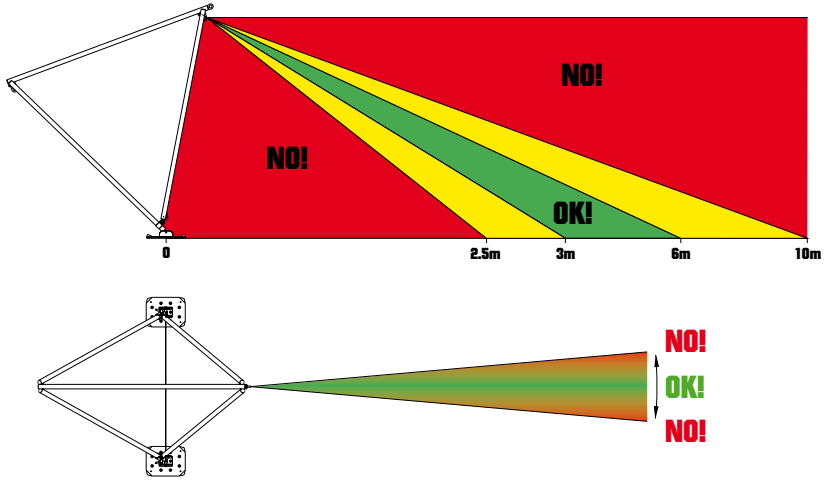


Abb. 6

Abb. 9



	Verstrebungsstelle
	Anschlagstelle
	Manuelle Handhabung des Seils

SL	SAFETY LINE Sicherheitsseil
WL	WORKING LINE Steigseil
BR	BRACING ROPE Spannseil


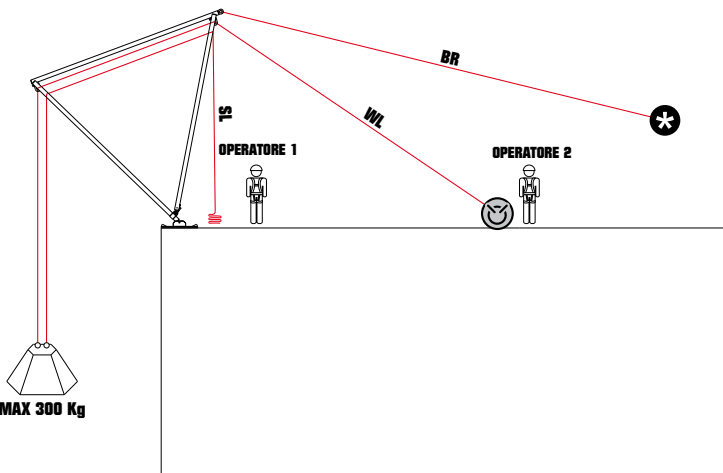
	Anwender
---	----------

Abb. 10



8.3 Anwendung

Beispiel der richtigen Anwendung für Tätigkeiten wie:

- Abseilen mit einfachem (Abb. 11) und doppeltem Seil (Abb. 12),
- Bergung mit einfachem (Abb. 13) und doppeltem Seil (Abb. 14),
- Abseilen und Bergung mit einfachem (Abb. 15) und doppeltem Seil (Abb. 16),
- Abseilen (Abb. 17) und Aufstieg (Abb. 18) auf dem Seil,

- Verschiebung der Lastpunkte (Abb. 19).

Der Grizzly eignet sich zum Abseilen und zur Bergung von Personen und Materialien.

ACHTUNG

Die gemischte Verwendung vermeiden.

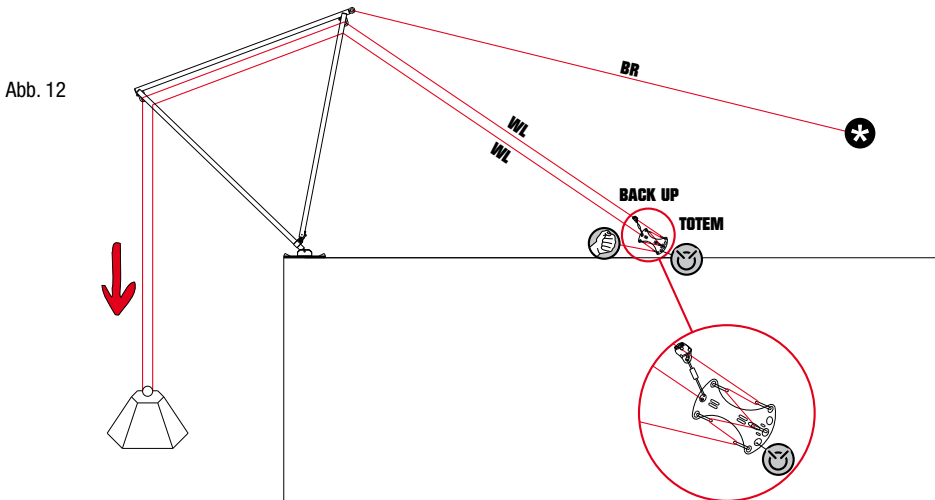
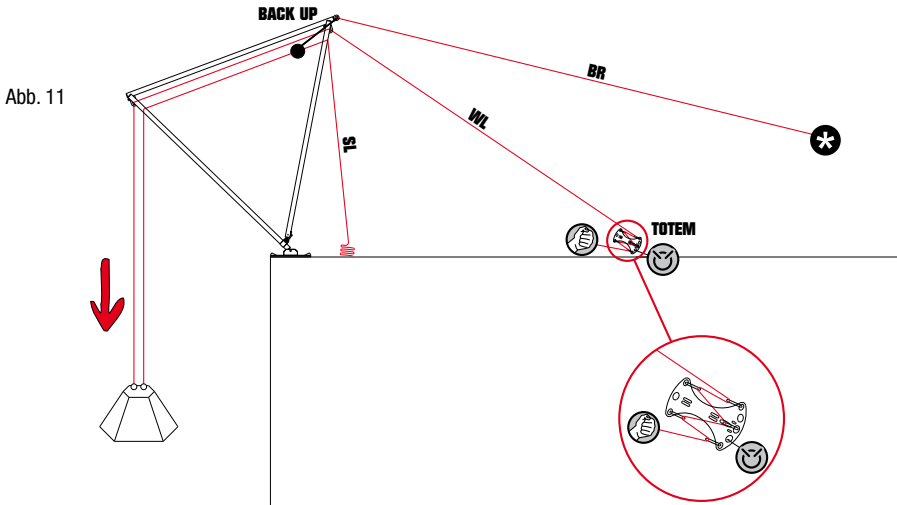


Abb. 13

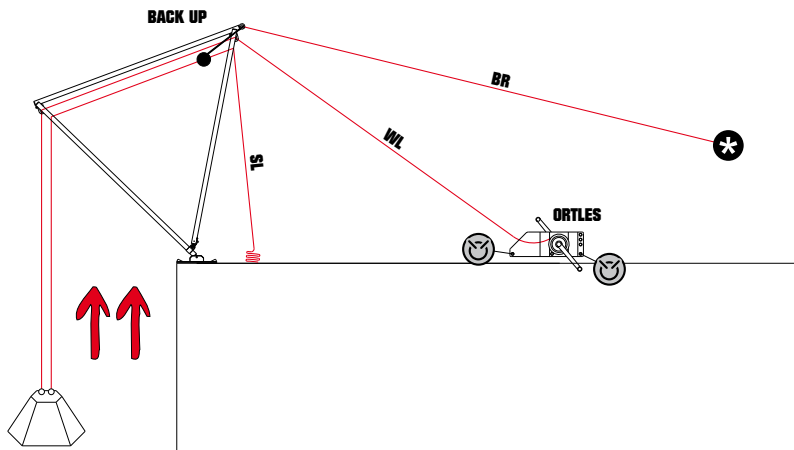


Abb. 14

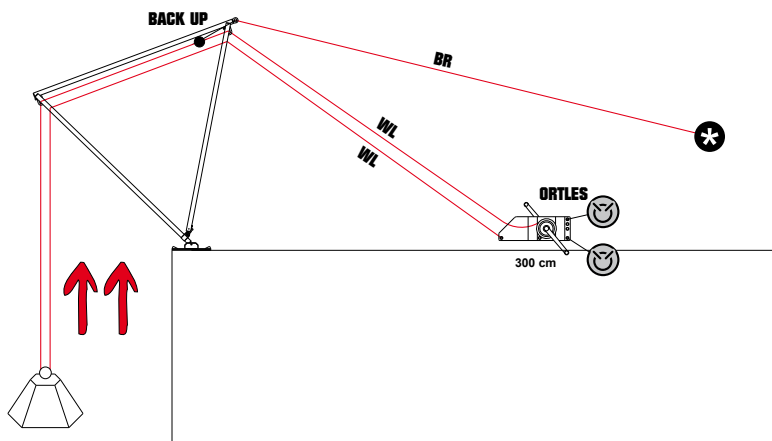


Abb. 15

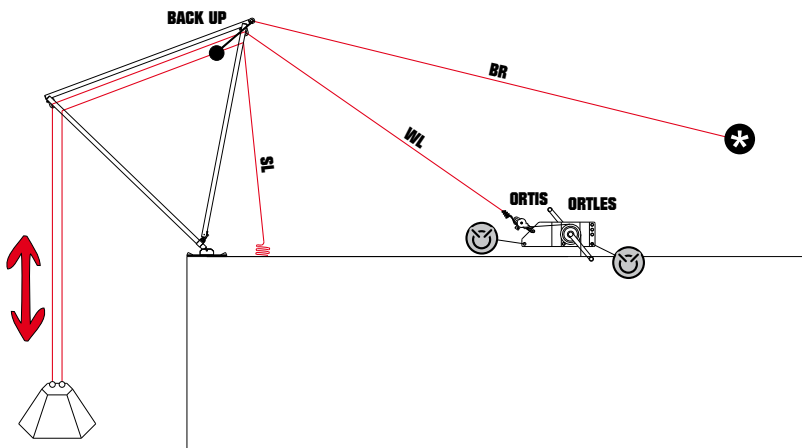


Abb. 16

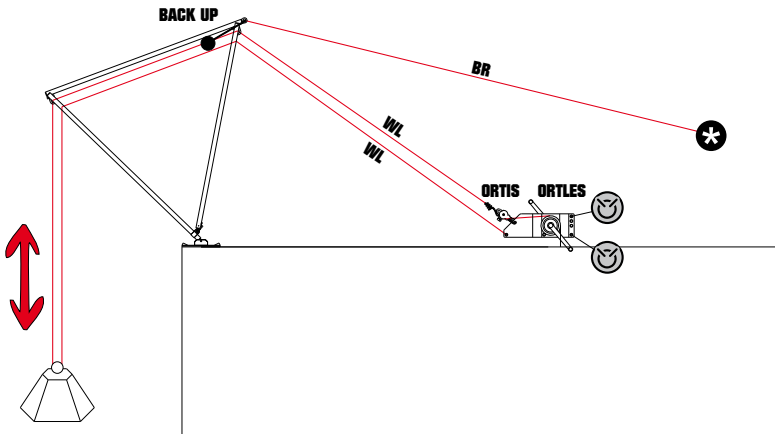


Abb. 17

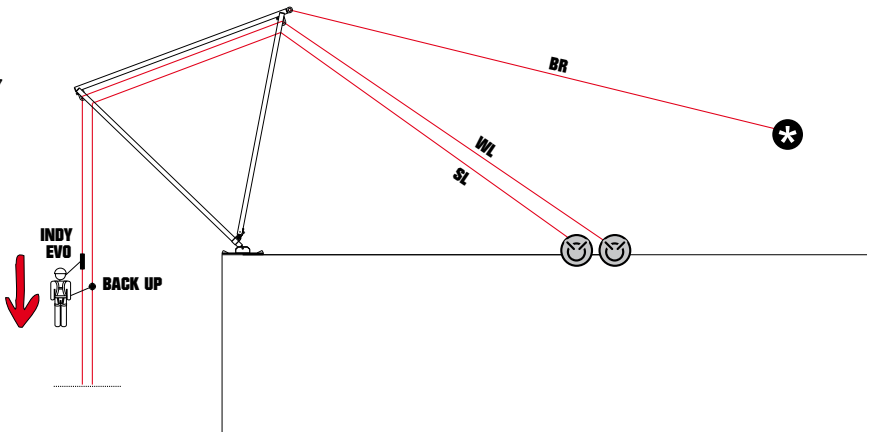


Abb. 18

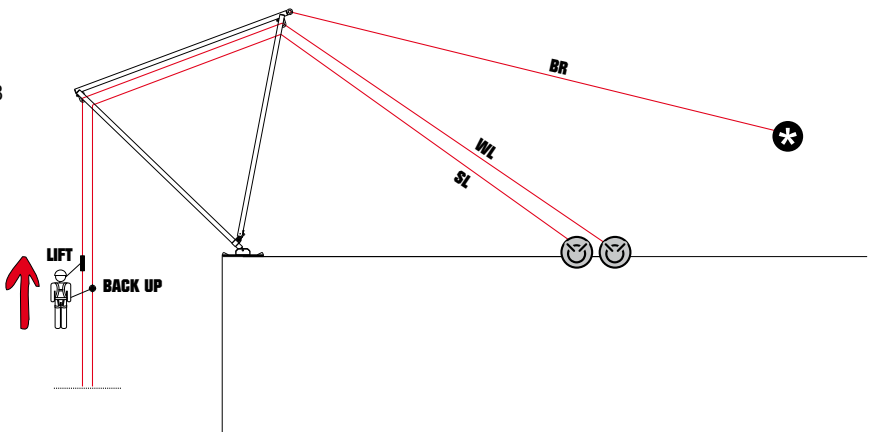
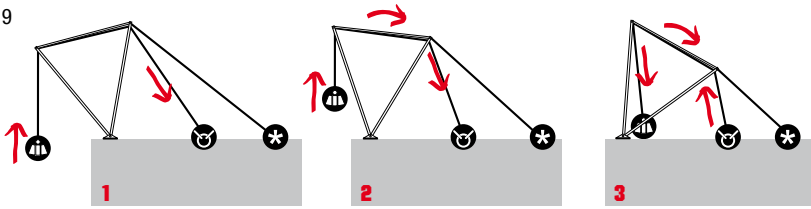


Abb. 19



8.4 Zubehör

Verzeichnis der mit Grizzly kombinierbaren Zubehöre:

- Karabiner: Ovalone (712.000), H.M.S. (786.000), Napik (957.000), Quick links (403.070, 600.080, 600.100).

Achtung: Nur Karabiner nach EN 362 verwenden.

- Seilrollen: Extra roll (820.00), Turbo roll (821.000), Pamir (826.000), Twin (827.000), Twin wire (827.020), Mini twin (827.010), Swing (992.000, 993.000, 994.000),
Außerdem und nach Anwendungsarten unterteilt:
- Abseilen: Indy Evo (801.020), Ortis (822.000), Totem (884.000), Full (864.150), Gigi (859.000),
- Bergung: Ortles (817.000), Maxi Hoist (208.000).

9 KONTROLLEN VOR UND NACH DEM GEBRAUCH

Kontrollieren und sicherstellen dass:

- Grizzly keinerlei mechanische Verformungen erlitten hat, keine Risse und Korrosionsspuren aufweist und dass er sich frei in den Gelenken (E) dreht,
- die Manschetten (F) sich in der richtigen Position (Abb. 6) mit dem Klemmhebel (G) fixiert sind.

Außerdem die Kontrollen vor und nach dem Gebrauch durchführen, die in den Gebrauchsanleitungen der zusammen mit Grizzly benutzten Vorrichtungen genannt sind. Beenden Sie die Kontrollen und führen Sie dazu in einer absolut sicheren Position einen Funktionstest durch.



KONG s.p.a.

Via XXV Aprile, 4 - (zona industriale)

I - 23804 MONTE MARENZO (LC) - ITALY

Tel +39 0341630506 - Fax +39 0341641550

www.kong.it